

12.5 SPHERICAL ROLLER BEARINGS

Double row spherical roller bearings have two rows of spherical rollers with common spherical track in outer ring. This structure allows mutual tipping of rings. They can simultaneously transfer considerable radial and axial loads in both directions. Bearings are made with cylindrical and tapered bore. These bearings are suitable for locations where big loads act, and tipability has to be ensured bearings can thus eliminate movement and misalignment of shaft. Bearings that are manufactured in the NEW FORCE standard are marked with ** in the table section of the catalogue.

Construction design

In the standard assortment, Dunlop offer spherical roller bearings in several versions that differ in the structure of the inner ring, cage and cage guidance.

EMH bearings with optimised design with symmetrical spherical rollers that brings higher load bearing capacity. Single piece crest massive brass cage led on the internal ring (fig. 12.5.1), in series 222 for bore diameter $d \leq 160$ mm, and in series 223 for bore diameter $d \leq 130$ mm the cage is led on spherical rollers (fig. 12.5.2).

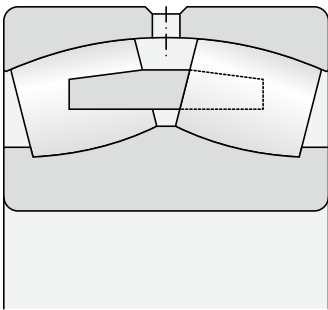


Fig. 12.5.1

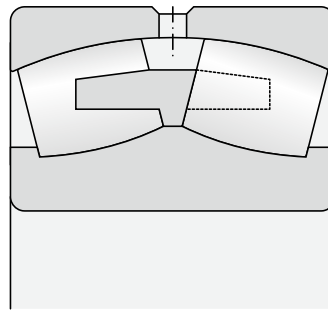


Fig. 12.5.2

CJ bearings with optimised design with symmetrical spherical rollers that brings higher load bearing capacity. Bearings have two cages pressed of steel plate with hardened surface that are guided by floating guide ring between both rows of spherical rollers centred on the inner ring (fig. 12.5.3).

EJ bearings with optimised structure with symmetrical spherical rollers that brings higher load bearing capacity. Bearings have two cages pressed of steel plate with hardened surface. Bearings do not have a guide ring (fig. 12.5.4).

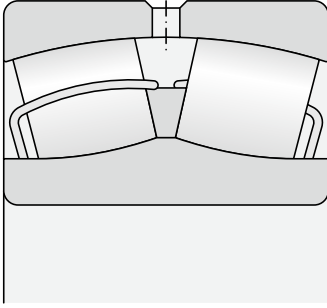


Fig. 12.5.3

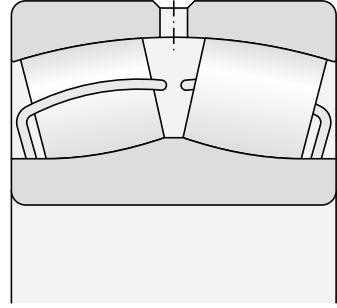


Fig. 12.5.4

Bearings in M and CM design are successively upgraded and replaced with types featuring optimised inner structure EMH, alternatively with bearings provided with EJ and CJ sheet metal cage.

M bearings have asymmetrical spherical rollers and two massive brass cages guided on fixed central flange of the inner ring.

CM bearings with optimised inner design featuring higher load bearing capacity and symmetrical spherical rollers. Bearings have two massive brass cages guided on fixed central flange of the inner ring (fig. 12.5.5).

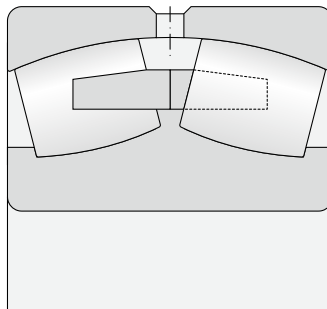


Fig. 12.5.5

Tapered hole

Bearings with tapered bore have taper size 1:12 [additional designation **K**]; the size of taper in series 240, 241, 248 and 249 is 1:30 [additional designation **K30**]. Bearings with tapered bore are mounted on roller shafts by adapter sleeve (fig. 10.8) or withdrawal sleeve (fig. 10.9). The system of designating the sleeves to individual bearing types is stated in the table section of the publication.

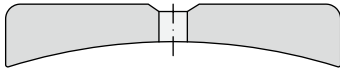


Fig. 12.5.6

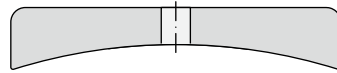


Fig. 12.5.7

Lubrication groove and holes on outer ring

In order to achieve better lubrication and higher reliability, double row spherical roller bearings are usually manufactured with a groove on the circumference of the outer ring, and three lubrication holes, except for the 238 and 248 series. This version has additional designation **W33** (fig. 12.5.6). Bearings of series have only three lubrication bores in the outer ring without a groove, additional designation **W20** (fig. 12.5.7).

Upon customer's request bearings can be supplied in a design without the groove and lubrication holes in the outer ring, alternatively bearings can be modified for lubrication through the inner ring. These modifications have to be discussed with the supplier.

Bearings for vibrating machines and equipment

To enhance reliability in environment with increased vibration level and strokes, double row spherical roller bearings of series 223 or 233 are manufactured under designation **EMHD2** (fig. 12.5.8). These bearings feature higher load bearing capacity and symmetrical spherical rollers, single piece massive brass cage is guided on the outer ring. As standard, the bearings have radial clearance within C4 and narrowed connecting dimension tolerances of the bore (in bearings with cylindrical bore) and outer diameter (see Table 12.5.1). As standard, outer rings have circumferential groove with three lubrication bores. Increased radial clearance, as well as the way of cage guidance and groove with lubrication bores, is not specially identified in these bearings; it is contained in the combined designation D2.

The bearings are designed for heavy service conditions, specifically:

- vibrating machines
- shake-out sieves and grates
- traction machines

We recommend the selection and way of locating them in are discussed with the technical & consulting services workers of the Dunlop BTL's Technical & Consultancy service.

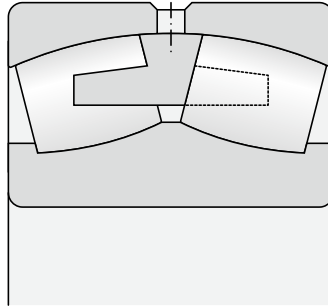


Fig. 12.5.8

Tab. 12.5.1

Inner ring					
Bore diameter [mm]	over	30	50	80	120
	incl.	50	80	120	180
Tolerance ΔD_{mp} [μm]		0	0	0	0
		-7	-9	-12	-15
Outer ring					
Bore diameter [mm]	over	80	150	180	315
	incl.	150	180	315	400
Tolerance ΔD_{mp} [μm]		-5	-5	-10	-13
		-13	-18	-23	-28

NEW FORCE bearings

Bearings in the NEW FORCE standard are marked with two stars** in the table section of the catalogue.

General information

Main dimensions

Main dimensions of bearings comply with the standard ISO 15 and for individual bearings are stated in the table section of the publication.

Accuracy

Double row spherical roller bearings are usually made in normal accuracy level P0 which is not presented. Supply of bearings with higher accuracy class has to be consulted with the supplier.

Radial clearance

Commonly produced bearings feature normal axial clearance that is not identified. Special locations require bearings with reduced C2 clearance, or with increased radial clearance C3, C4 and C5. The radial clearance values comply with the standard ISO 5753 for bearings with cylindrical and tapered bore, and are stated in charts 7.2 and 7.23.

Admissible misalignment

Bearings can be misaligned from central position without disturbing their proper function. Table 12.5.2 states allowed misalignment values by the type bearing series.

Tab. 12.5.2

Bearing series	Admissible misalignment
222, 230, 231, 238, 239, 248	1°30'
213, 223, 240	2°
232, 241, 249	2°30'

Effect of running temperature to bearing material

All Dunlop spherical roller bearings are subjected to special heat treatment that allows their use in service temperature to 200 °C without inadmissible dimensional changes. Corresponding additional designation S1 is not stated. Exception is bearing in CJ design with sheet metal cages and polyamide guide ring, applicability of which is limited by properties of polyamide – see article Materials of roller bearings in chapter 7. More detailed information on specific bearing type is available when contacting sales@dunlopbt.com.

Running temperature and axial load

Double row spherical roller bearings can besides radial load transfer also considerable axial load. If the axial and radial load rate $F_a / F_r > e$ (coefficient stated in the table section), we recommend that the intervals for additional lubrication with grease are shortened. Running temperature may represent a limiting factor in terms of axial load. If this is the case, we recommend that you contact the Technical & Consultancy service of Dunlop which will evaluate the suitability of selected bearing for particular location and service conditions.

Admissible axial load of bearings mounted on adapter sleeves

In the assembly of spherical roller bearings on smooth shafts (without fitting or another support surface) by means of adapter sleeves, it is possible to define the admissible axial load of the bearing based on the below relation, on condition of proper assembly.

$$F_{ap} = 3 \cdot B \cdot d$$

F_{ap} is the maximum admissible axial load [N]

B is the bearing width [mm]

d is the bearing bore diameter [mm]

Minimum load

Bearings must be exposed to certain minimum service load in order to ensure their smooth operation. This applies also to spherical roller bearings, mainly for operation at high revolutions at which inertia forces of spherical rollers, of cage and friction in lubricant may have negative impact on rolling, and may cause damage to spherical rollers and raceways. Minimum radial bearings can be in these cases approximately determined based on the below relation.

$$F_{rm} = 0.02 \cdot C_r$$

F_{rm} is the minimum radial load [kN]

C_r Is the basic dynamic load capacity [kN]

The weight of components loading the bearing, along with external acting forces, often exceeds the minimum load required. If this is not the case, the bearing has to be loaded with an additional force, e.g. by increasing the tension of the belt, increasing the torque at idle run, etc.

Equivalent dynamic load P_r

In order to carry out the calculation based on the basic durability equation, the actually acting load has to be converted to equivalent, i.e. implied distributed load which complies with the conditions applicable to the basic dynamic load bearing capacity, and has the same effect on the durability of the bearing as the actual load. To ensure correct calculation of this load we need to know as accurately as possible the outer forces acting on the bearing.

$$P_r = F_r + Y_1 \cdot F_a \quad \text{for } F_a / F_r \leq e \quad [kN]$$

$$P_r = 0.67 \cdot F_r + Y_2 \cdot F_a \quad \text{for } F_a / F_r > e \quad [kN]$$

F_r radial load [kN]

F_a axial load [kN]

The values of coefficients e , Y_1 and Y_2 for individual types of bearings are stated in the table section of the publication.

Equivalent static load P_{0r}

The continuity of equivalent static load and the actual, as well the definition of it, is similar to that of the equivalent dynamic load.

$$P_{0r} = F_r + Y_0 \cdot F_a$$

The values of coefficient Y_0 are for individual types of bearings stated in the table section of the publication.

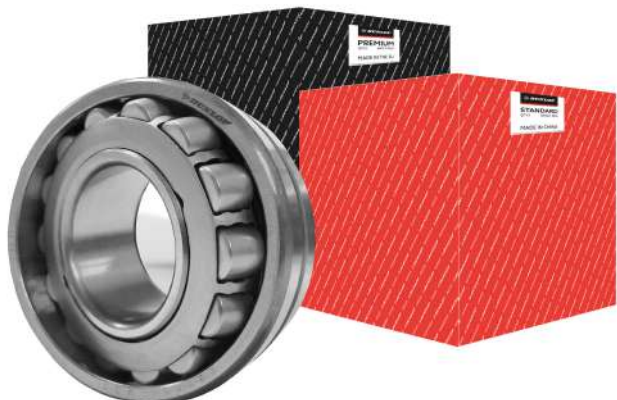
Supplementary characters behind the basic bearing designation

The designation of bearing design and cage design is stated in the previous text of the chapter.

- C2** radial clearance smaller than normal
- C3** radial clearance bigger than normal
- C4** radial clearance bigger than C3
- C5** radial clearance bigger than C4
- K** inner ring with tapered bore, taper ratio 1:12
- K30** inner ring with tapered bore, taper ratio 01:30
- P6** higher than normal accuracy
- P63** example of combined designation (P6 + C3)
- W20** outer ring with three lubrication bores
- W33** outer ring with circumferential groove and three lubrication bores

Assembly of bearings with tapered bore

Bearings with tapered bore are mounted on relevant shaft always with certain overlap. This overlap has to be put in line with reduction of radial clearance of mounted bearing, or the inner ring on the tapered journal has to be shifted. In double row spherical roller bearings it is recommended to measure reduction of radial clearance of mounted bearing. Only in small bearings, or where limited spatial conditions are, axial movement is checked which however requires certain experience in determination of the initial position. Feeler gauges are used prior, during and after the assembly to measure radial clearance. Clearance has to be measured always between the outer ring raceway and the unloaded spherical roller. Prior to measuring, always spin the bearing several times to get the spherical rollers to proper position. Measured radial clearance must be identical for both rows of spherical rollers. The recommended reduced radial clearance and axial movement values are stated in chart 12.5.3. The minimum values of radial clearance stated in the chart are used for bearings with normal radial clearance close to the bottom limit of the defined clearance range. For C3 and C4 clearance bearings, such value of radial clearance reduction should be selected that lies in the proximity of the maximum value recommended.



Tab. 12.5.3

Assembly of double row spherical roller bearings with tapered bore										
Bore diameter		Radial clearance reduction		Axial displacement on taper 1:12				Minimum allowed radial clearance of bearing with clearance		
over	to	min	max	on shaft		on bushing		normal	C3	C4
				min	max	min	max			
mm		µm		mm				µm		
30	40	20	25	0,35	0,4	0,35	0,45	15	20	40
40	50	25	30	0,4	0,45	0,45	0,5	20	30	50
50	65	30	40	0,45	0,6	0,5	0,7	25	35	55
65	80	40	50	0,6	0,75	0,7	0,85	25	40	70
80	100	45	60	0,7	0,9	0,75	1	35	50	80
100	120	50	70	0,75	1,1	0,8	1,2	50	65	100
120	140	65	90	1,1	1,4	1,2	1,5	55	80	110
140	160	75	100	1,2	1,6	1,3	1,7	55	90	130
160	180	80	110	1,3	1,7	1,4	1,9	60	100	150
180	200	90	130	1,4	2	1,5	2,2	70	100	160
200	225	100	140	1,6	2,2	1,7	2,4	80	120	180
225	250	110	150	1,7	2,4	1,8	2,6	90	130	200
250	280	120	170	1,9	2,7	2	2,9	100	140	220
280	315	130	190	2	3	2,2	3,2	110	150	240
315	355	150	210	2,4	3,3	2,6	3,6	120	170	260
355	400	170	230	2,6	3,6	2,9	3,9	130	190	290
400	450	200	260	3,1	4,1	3,4	4,4	130	200	310
450	500	210	280	3,3	4,4	3,6	4,8	160	230	350
500	560	240	320	3,7	5	4,1	5,4	170	250	360
560	630	260	350	4	5,4	4,4	5,9	200	290	410
630	710	300	400	4,6	6,2	5,1	6,8	210	310	450
710	800	340	450	5,3	7	5,8	7,6	230	350	510
800	900	370	500	5,7	7,8	6,3	8,5	270	390	570

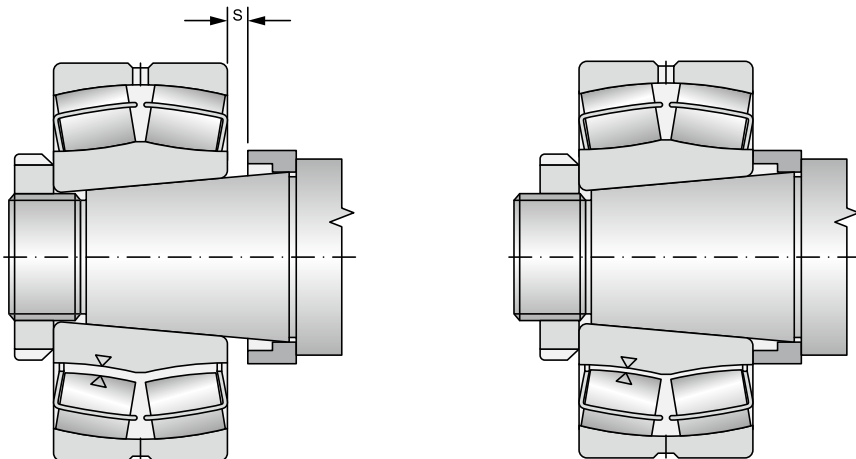
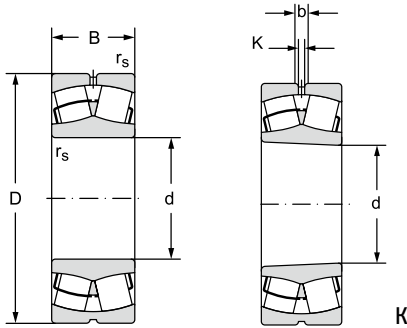


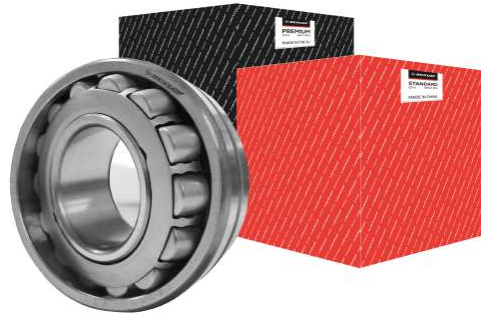
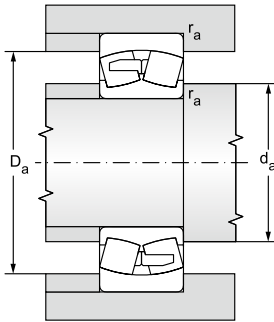
Fig. 12.5.9

Double row spherical roller bearings d = 25 to 1120 mm

d = 25 to 60 mm



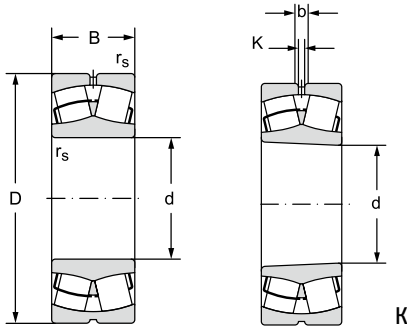
Main dimensions						Basic load rating		Fatigue load limit	Limiting speed for lubrication with		Bearing designation	
d	D	B	r _s	a	b	dynamic C _r	static C _{0r}	P _u	grease	oil	with cylindrical bore	with tapered bore
mm						kN		kN	min ⁻¹			
25	52	18	1	2	3,7	47,5	50,2	6,1	8500	11000	22205EW33J**	22205EKW33J**
	62	17	1,1	-	-	48,8	44,3	5,4	6700	8500	21305CJ**	21305CKJ**
30	62	20	1	2	3,7	62,2	66,4	8,1	7500	9500	22206EW33J**	22206EKW33J**
	72	19	1,1	-	-	60,2	56,5	6,9	6000	7500	21306CJ**	21306CKJ**
35	72	23	1,1	2	3,7	82,6	93,5	11	6300	8000	22207EW33J**	22207EKW33J**
	80	21	1,5	-	-	77	77,8	9,5	5300	6700	21307CJ**	21307CKJ**
40	80	23	1,1	3	5,5	89,6	99,7	12	6000	7500	22208EW33J**	22208EKW33J**
	90	23	1,5	3	5,5	97,3	102	12	4500	5600	21308CW33J**	21308CKW33J**
	90	33	1,5	3	5,5	154	160	20	4100	5100	22308EW33J**	22308EKW33J**
	90	33	1,5	3	5,5	154	160	20	4100	5100	22308EW33MH**	22308EKW33MH**
45	85	23	1,1	3	5,5	95,6	110	13	5300	6700	22209EW33J**	22209EKW33J**
	100	25	1,5	3	5,5	118	125	15	4300	5300	21309CW33J**	21309CKW33J**
	100	36	1,5	3	5,5	184	194	24	3700	4500	22309EW33J**	22309EKW33J**
	100	36	1,5	3	5,5	184	194	24	3700	4500	22309EW33MH**	22309EKW33MH**
50	90	23	1,1	3	5,5	102	120	15	5000	6300	22210EW33J**	22210EKW33J**
	110	27	2	3	5,5	152	151	18	3600	4800	21310CW33J**	21310CKW33J**
	110	40	2	3	5,5	220	238	29	3300	4000	22310EW33J**	22310EKW33J**
	110	40	2	3	5,5	220	238	29	3300	4000	22310EW33MH**	22310EKW33MH**
55	100	25	1,5	3	5,5	137	147	18	4500	5600	22211EW33J**	22211EKW33J**
	100	25	1,5	3	5,5	137	147	18	4500	5600	22211EW33MH**	22211EKW33MH**
	120	29	2	3	5,5	163	176	22	3400	4300	21311CW33J**	21311CKW33J**
	120	43	2	3	5,5	253	279	34	3000	3800	22311EW33J**	22311EKW33J**
60	120	43	2	3	5,5	253	279	34	3000	3800	22311EW33MH**	22311EKW33MH**
	110	28	1,5	3	5,5	168	183	22	4000	5000	22212EW33J**	22212EKW33J**
	110	28	1,5	3	5,5	168	183	22	4000	5000	22212EW33MH**	22212EKW33MH**
	130	31	2,1	3	5,5	186	215	26	3000	3800	21312CW33J**	21312CKW33J**
	130	46	2,1	3	5,5	304	315	38	2800	3600	22312EW33J**	22312EKW33J**
130	46	2,1	3	5,5	304	315	38	2800	3600	22312EW33MH**	22312EKW33MH**	
	130	46	2,1	3	5,5	304	315	38	2800	3600	22312EMHD2**	22312EKMHD2**



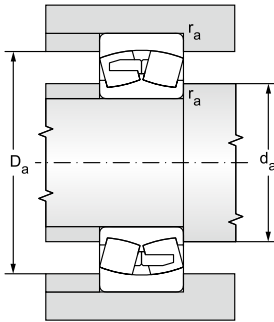
Abutment and fillet dimensions			Weight		Corresp. adapter sleeve	Corresp. withdrawal sleeve	Corresp. nut	Factors			
d _a	D _a	r _a	K					e	Y ₁	Y ₂	Y ₀
min	max	max									
mm			kg								
31	46	1	0,181	0,177	H305	-	-	0,34	2,0	3,0	2,0
32	55	1	0,270	0,265	H305	-	-	0,30	2,3	3,4	2,2
36	56	1	0,286	0,280	H306	-	-	0,31	2,2	3,2	2,1
37	65	1	0,400	0,390	H306	-	-	0,27	2,5	3,7	2,5
42	65	1	0,445	0,436	H307	-	-	0,31	2,2	3,3	2,2
44	71	1,5	0,540	0,530	H307	-	-	0,28	2,4	3,6	2,5
47	73	1	0,534	0,523	H308	AH308	KM9	0,27	2,5	3,7	2,4
49	81	1,5	0,744	0,733	H308	AH308	KM9	0,26	2,6	3,9	2,6
49	81	1,5	1,05	1,03	H2308	AH2308	KM9	0,36	1,8	2,6	1,8
49	81	1,5	1,07	1,05	H2308	AH2308	KM9	0,36	1,8	2,6	1,8
52	78	1	0,576	0,563	H309	AH309	KM10	0,25	2,7	4,0	2,6
54	91	1,5	0,990	0,975	H309	AH309	KM10	0,24	2,8	4,2	2,8
54	91	1,5	1,40	1,37	H2309	AH2309	KM10	0,36	1,9	2,8	1,9
54	91	1,5	1,43	1,40	H2309	AH2309	KM10	0,36	1,9	2,8	1,9
57	83	1	0,623	0,610	H310	AH310X	KM11	0,24	2,8	4,2	2,8
60	100	2	1,25	1,23	H310	AH310X	KM11	0,24	2,8	4,2	2,8
60	100	2	1,87	1,83	H2310	AH2310X	KM11	0,36	1,9	2,7	1,8
60	100	2	1,92	1,88	H2310	AH2310X	KM11	0,36	1,9	2,7	1,8
64	91	1,5	0,830	0,820	H311	AH311X	KM12	0,23	2,9	4,4	2,9
64	91	1,5	0,840	0,822	H311	AH311X	KM12	0,23	2,9	4,4	2,9
65	110	2	1,65	1,63	H311	AH311X	KM12	0,24	2,8	4,2	2,8
65	110	2	2,36	2,31	H2311	AH2311X	KM12	0,35	1,9	2,8	1,9
65	110	2	2,44	2,39	H2311	AH2311X	KM12	0,35	1,9	2,8	1,9
69	101	1,5	1,14	1,12	H312	AH312X	KM13	0,24	2,8	4,2	2,8
69	101	1,5	1,15	1,12	H312	AH312X	KM13	0,24	2,8	4,2	2,8
72	118	2	2,01	1,98	H312	AH312X	KM13	0,22	3,0	4,6	2,8
72	118	2	2,91	2,84	H2312	AH2312X	KM13	0,35	1,9	2,9	1,9
72	118	2	2,95	2,88	H2312	AH2312X	KM13	0,35	1,9	2,9	1,9
72	118	2	3,03	2,97	H2312	AH2312X	KM13	0,35	1,9	2,9	1,9

Double row spherical roller bearings

d = 65 to 85 mm



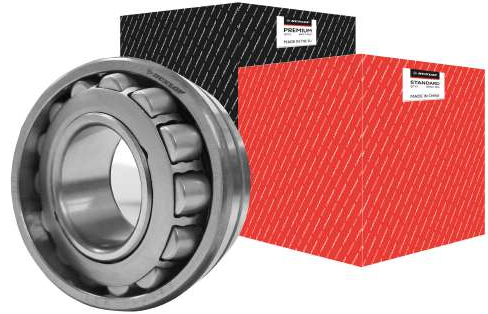
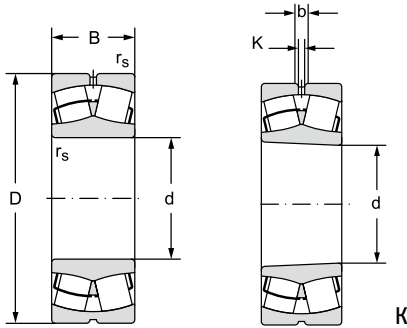
Main dimensions						Basic load rating		Fatigue load limit	Limiting speed for lubrication with		Bearing designation	
d	D	B	r _s	a	b	dynamic C _r	static C _{0r}	P _u	grease	oil	with cylindrical bore	with tapered bore
mm						kN		kN	min ⁻¹			
65	120	31	1,5	3	5,5	200	224	27	3800	4800	22213EW33J**	22213EKW33J**
	120	31	1,5	3	5,5	200	224	27	3800	4800	22213EW33MH**	22213EKW33MH**
	140	33	2,1	3	5,5	217	250	30	2800	3600	21313CW33J**	21313CKW33J**
	140	48	2,1	3	5,5	329	351	43	2600	3400	22313EW33J**	22313EKW33J**
	140	48	2,1	3	5,5	329	351	43	2600	3400	22313EW33MH**	22313EKW33MH**
	140	48	2,1	3	5,5	329	351	43	2600	3400	22313EMHD2**	22313EKMHD2**
70	125	31	1,5	3	5,5	208	239	29	3600	4500	22214EW33J**	22214EKW33J**
	125	31	1,5	3	5,5	208	239	29	3600	4500	22214EW33MH**	22214EKW33MH**
	150	35	2,1	3	5,5	246	284	34	2600	3400	21314CW33J**	21314CKW33J**
	150	51	2,1	3	5,5	376	402	48	2400	3100	22314EW33J**	22314EKW33J**
	150	51	2,1	3	5,5	376	402	48	2400	3100	22314EW33MH**	22314EKW33MH**
	150	51	2,1	3	5,5	376	402	48	2400	3100	22314EMHD2**	22314EKMHD2**
75	130	31	1,5	3	5,5	216	255	31	3400	4300	22215EW33J**	22215EKW33J**
	130	31	1,5	3	5,5	216	255	31	3400	4300	22215EW33MH**	22215EKW33MH**
	160	37	2,1	3	5,5	266	308	36	2400	3200	21315CW33J**	21315CKW33J**
	160	55	2,1	4,5	8,3	436	489	57	2300	3000	22315EW33J**	22315EKW33J**
	160	55	2,1	4,5	8,3	436	489	57	2300	3000	22315EW33MH**	22315EKW33MH**
	160	55	2,1	4,5	8,3	436	489	57	2300	3000	22315EMHD2**	22315EKMHD2**
80	140	33	2	3	5,5	246	295	35	3200	4000	22216EW33J**	22216EKW33J**
	140	33	2	3	5,5	246	295	35	3200	4000	22216EW33MH**	22216EKW33MH**
	170	39	2,1	3	5,5	299	349	40	2200	3000	21316CW33J**	21316CKW33J**
	170	58	2,1	4,5	8,3	487	551	63	2200	2800	22316EW33J**	22316EKW33J**
	170	58	2,1	4,5	8,3	487	551	63	2200	2800	22316EW33MH**	22316EKW33MH**
	170	58	2,1	4,5	8,3	487	551	63	2200	2800	22316EMHD2**	22316EKMHD2**
85	150	36	2	3	5,5	286	337	39	3000	3800	22217EW33J**	22217EKW33J**
	150	36	2	3	5,5	286	337	39	3000	3800	22217EW33MH**	22217EKW33MH**
	180	41	3	3	5,5	327	382	43	2000	2800	21317CW33J**	21317CKW33J**
	180	60	3	4,5	8,3	530	603	68	2000	2600	22317EW33J**	22317EKW33J**
	180	60	3	4,5	8,3	530	603	68	2000	2600	22317EW33MH**	22317EKW33MH**
	180	60	3	4,5	8,3	530	603	68	2000	2600	22317EMHD2**	22317EKMHD2**



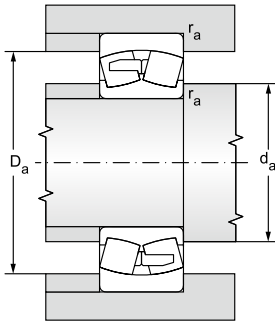
Abutment and fillet dimensions			Weight		Corresp. adapter sleeve	Corresp. withdrawal sleeve	Corresp. nut	Factors			
d _a	D _a	r _a	K					e	Y ₁	Y ₂	Y ₀
min	max	max									
mm			kg								
74	111	1,5	1,51	1,48	H313	AH313	KM15	0,24	2,9	4,2	2,8
74	111	1,5	1,53	1,50	H313	AH313	KM15	0,24	2,9	4,2	2,8
77	128	2	2,55	2,52	H313	AH313	KM15	0,23	2,9	4,3	2,8
77	128	2	3,46	3,38	H2313	AH2313	KM15	0,34	2	3	2
77	128	2	3,54	3,46	H2313	AH2313	KM15	0,34	2	3	2
77	128	2	3,64	3,56	H2313	AH2313	KM15	0,34	2	3	2
79	116	1,5	1,61	1,57	H314	AH314	KM16	0,23	2,9	4,2	2,8
79	116	1,5	1,62	1,58	H314	AH314	KM16	0,23	2,9	4,2	2,8
82	138	2	3,11	3,07	H314	AH314	KM16	0,23	2,9	4,3	2,9
82	138	2	4,19	4,10	H2314	AH2314X	KM16	0,34	2	3	2
82	138	2	4,38	4,29	H2314	AH2314X	KM16	0,34	2	3	2
82	138	2	4,40	4,31	H2314	AH2314X	KM16	0,34	2	3	2
84	121	1,5	1,70	1,66	H315	AH315	KM17	0,22	3,1	4,5	2,9
84	121	1,5	1,71	1,67	H315	AH315	KM17	0,22	3,1	4,5	2,9
87	148	2	3,74	3,69	H315	AH315	KM17	0,23	2,9	4,4	2,9
87	148	2	5,27	5,15	H2315	AH2315X	KM17	0,33	2	3	2
87	148	2	5,30	5,19	H2315	AH2315X	KM17	0,33	2	3	2
87	148	2	5,47	5,35	H2315	AH2315X	KM17	0,33	2	3	2
90	130	2	2,11	2,07	H316	AH316	KM18	0,22	3,1	4,5	3
90	130	2	2,13	2,09	H316	AH316	KM18	0,22	3,1	4,5	3
92	158	2	4,46	4,40	H316	AH316	KM18	0,23	3	4,4	2,9
92	158	2	6,25	6,11	H2316	AH2316X	KM18	0,33	2	3	2
92	158	2	6,34	6,20	H2316	AH2316X	KM18	0,33	2	3	2
92	158	2	6,51	6,37	H2316	AH2316X	KM18	0,33	2	3	2
95	140	2	2,66	2,61	H317	AH317X	KM19	0,22	3	4,4	2,9
95	140	2	2,67	2,62	H317	AH317X	KM19	0,22	3	4,4	2,9
99	166	2,5	5,31	5,24	H317	AH317X	KM19	0,24	2,8	4,2	2,8
99	166	2,5	7,16	7,01	H2317	AH2317X	KM19	0,32	2,1	3,1	2
99	166	2,5	7,30	7,15	H2317	AH2317X	KM19	0,32	2,1	3,1	2
99	166	2,5	7,48	7,34	H2317	AH2317X	KM19	0,32	2,1	3,1	2

Double row spherical roller bearings

d = 90 to 110 mm



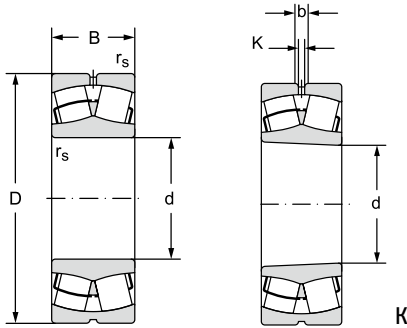
Main dimensions						Basic load rating		Fatigue load limit	Limiting speed for lubrication with		Bearing designation	
d	D	B	r _s	a	b	dynamic C _r	static C _{0r}	P _u	grease	oil	with cylindrical bore	with tapered bore
mm						kN		kN	min ⁻¹			
90	160	40	2	4,5	8,3	339	406	46	2600	3400	22218EW33J**	22218EKW33J**
	160	40	2	4,5	8,3	339	406	46	2600	3400	22218EW33MH**	22218EKW33MH**
	160	52,4	2	3	5,5	407	522	60	1900	2600	23218CW33J**	23218CKW33J**
	160	52,4	2	3	5,5	407	522	60	1900	2600	23218EW33MH**	23218EKW33MH**
	190	43	3	4,5	8,3	361	425	47	1900	2600	21318CW33J**	21318CKW33J**
	190	64	3	4,5	8,3	590	673	74	1900	2400	22318EW33J**	22318EKW33J**
	190	64	3	4,5	8,3	590	673	74	1900	2400	22318EW33MH**	22318EKW33MH**
	190	64	3	4,5	8,3	590	673	74	1900	2400	22318EMHD2**	22318EKMHD2**
95	170	43	2,1	4,5	8,3	381	464	52	2400	3200	22219EW33J**	22219EKW33J**
	170	43	2,1	4,5	8,3	381	464	52	2400	3200	22219EW33MH**	22219EKW33MH**
	200	45	3	4,5	8,3	398	473	51	1800	2400	21319CW33J**	21319CKW33J**
	200	67	3	4,5	8,3	665	744	81	1800	2300	22319EW33J**	22319EKW33J**
	200	67	3	4,5	8,3	665	744	81	1800	2300	22319EW33MH**	22319EKW33MH**
	200	67	3	4,5	8,3	665	744	81	1800	2300	22319EMHD2**	22319EKMHD2**
100	150	50	1,5	3	5,5	327	528	60	1800	2400	24020CW33J**	24020CK30W33J**
	165	52	2	3	5,5	410	587	66	2000	2800	23120CW33J**	23120CKW33J**
	165	52	2	3	5,5	410	587	66	2000	2800	23120EW33MH**	23120EKW33MH**
	180	46	2,1	4,5	8,3	417	510	56	2200	3000	22220EW33J**	22220EKW33J**
	180	46	2,1	4,5	8,3	417	510	56	2200	3000	22220EW33MH**	22220EKW33MH**
	180	60,3	2,1	4,5	8,3	512	667	74	1700	2200	23220CW33J**	23220CKW33J**
	180	60,3	2,1	4,5	8,3	512	667	74	1700	2200	23220EW33MH**	23220EKW33MH**
	215	47	3	4,5	8,3	439	522	56	1700	2200	21320CW33J**	21320CKW33J**
	215	73	3	4,5	8,3	750	842	90	1700	2200	22320EW33J**	22320EKW33J**
	215	73	3	4,5	8,3	750	842	90	1700	2200	22320EW33MH**	22320EKW33MH**
215	73	3	4,5	8,3	750	842	90	1700	2200	22320EMHD2**	22320EKMHD2**	



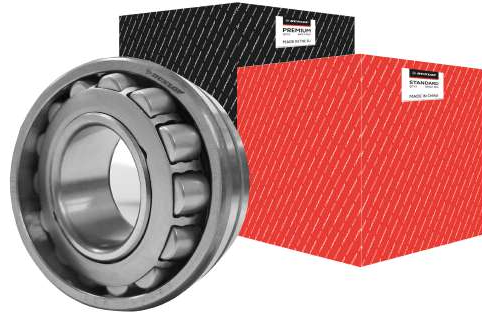
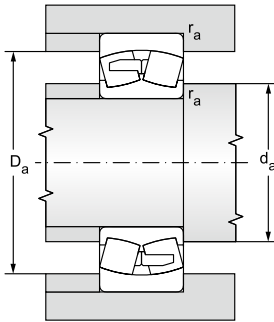
Abutment and fillet dimensions			Weight		Corresp. adapter sleeve	Corresp. withdrawal sleeve	Corresp. nut	Factors			
d _a	D _a	r _a	K					e	Y ₁	Y ₂	Y ₀
min	max	max									
mm			kg								
100	150	2	3,40	3,33	H318	AH318X	KM20	0,23	2,9	4,2	2,8
100	150	2	3,42	3,35	H318	AH318X	KM20	0,23	2,9	4,2	2,8
100	150	2	4,52	4,40	H2318	AH3218X	KM20	0,31	2,2	3,3	2,2
100	150	2	4,61	4,49	H2318	AH3218X	KM20	0,31	2,2	3,3	2,2
104	176	2,5	6,00	5,92	H318	AH318X	KM20	0,23	3	4,5	2,9
104	176	2,5	8,54	8,35	H2318	AH2318X	KM20	0,33	2,1	3,1	2
104	176	2,5	8,68	8,49	H2318	AH2318X	KM20	0,33	2,1	3,1	2
104	176	2,5	8,89	8,70	H2318	AH2318X	KM20	0,33	2,1	3,1	2
107	158	2	4,17	4,08	H319	AH319X	KM21	0,23	2,9	4,2	2,7
107	158	2	4,20	4,11	H319	AH319X	KM21	0,23	2,9	4,2	2,7
109	186	2,5	6,99	6,90	H319	AH319X	KM21	0,22	3	4,5	3
109	186	2,5	9,86	9,64	H2319	AH2319X	KM21	0,33	2,1	3,1	2
109	186	2,5	10,00	9,81	H2319	AH2319X	KM21	0,33	2,1	3,1	2
109	186	2,5	10,30	10,00	H2319	AH2319X	KM21	0,33	2,1	3,1	2
109	141	1,5	3,15	3,10	-	-	-	0,3	2,3	3,4	2,3
110	155	2	4,40	4,26	H3120	AH3120X	KM22	0,29	2,4	3,5	2,3
110	155	2	4,45	4,31	H3120	AH3120X	KM22	0,29	2,4	3,5	2,3
112	168	2	5,01	4,90	H320	AH320X	KM22	0,24	2,9	4,1	2,7
112	168	2	5,03	4,92	H320	AH320X	KM22	0,24	2,9	4,1	2,7
112	168	2	6,55	6,37	H2320	AH3220X	KM22	0,31	2,2	3,2	2,1
112	168	2	6,59	6,40	H2320	AH3220X	KM22	0,31	2,2	3,2	2,1
114	201	2,5	8,57	8,46	H320	AH320X	KM22	0,22	3,1	4,6	3
114	201	2,5	12,3	12,1	H2320	AH2320X	KM22	0,33	2	3	2
114	201	2,5	12,5	12,3	H2320	AH2320X	KM22	0,33	2	3	2
114	201	2,5	12,8	12,6	H2320	AH2320X	KM22	0,33	2	3	2

Double row spherical roller bearings

d = 120 to 140 mm



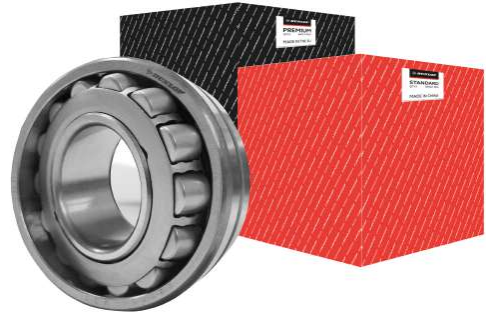
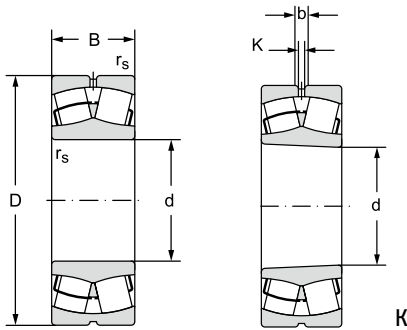
Main dimensions						Basic load rating		Fatigue load limit	Limiting speed for lubrication with		Bearing designation	
d	D	B	r _s	a	b	dynamic C _r	static C _{st}	P _u	grease	oil	with cylindrical bore	with tapered bore
mm						kN	kN	kN	min ⁻¹			
110	170	45	2	3	5,5	362	516	57	2200	3000	23022CW33J**	23022CKW33J**
	170	45	2	3	5,5	362	516	57	2200	3000	23022EW33MH**	23022EKW33MH**
	170	60	2	3	5,5	442	717	79	1700	2200	24022CW33J**	24022CK30W33J**
	170	60	2	3	5,5	442	717	79	1700	2200	24022EW33MH**	24022EK30W33MH**
	180	56	2	4,5	8,3	410	585	64	1900	2600	23122CW33J**	23122CKW33J**
	180	56	2	4,5	8,3	410	585	64	1900	2600	23122EW33MH**	23122EKW33MH**
	180	69	2	3	5,5	550	849	93	1600	2000	24122CW33J**	24122CK30W33J**
	180	69	2	3	5,5	550	849	93	1600	2000	24122EW33MH**	24122EK30W33MH**
	200	53,0	2,1	4,5	8,3	537	653	70	2000	2800	22222EW33J**	22222EKW33J**
	200	53,0	2,1	4,5	8,3	537	653	70	2000	2800	22222EW33MH**	22222EKW33MH**
	200	69,8	2,1	4,5	8,3	645	867	93	1600	2000	23222CW33J**	23222CKW33J**
	200	69,8	2,1	4,5	8,3	645	867	93	1600	2000	23222EW33MH**	23222EKW33MH**
	240	80	3	6	11,1	868	1000	103	1500	1900	22322EW33J**	22322EKW33J**
	240	80,0	3	6	11,1	868	1000	103	1500	1900	22322EW33MH**	22322EKW33MH**
240	80,0	3	6	11,1	868	1000	103	1500	1900	22322EMHD2**	22322EKMHD2**	
240	92,1	3	6	11,1	900	1160	120	1400	1800	23322EMHD2**	-	
120	180	46	2	3	5,5	380	572	62	2000	2800	23024CW33J**	23024CKW33J**
	180	46	2	3	5,5	380	572	62	2000	2800	23024EW33MH**	23024EKW33MH**
	180	60	2	3	5,5	454	770	83	1600	2000	24024CW33J**	24024CK30W33J**
	180	60	2	3	5,5	454	770	83	1600	2000	24024EW33MH**	24024EK30W33MH**
	200	62	2	4,5	8,3	575	798	85	1800	2400	23124CW33J**	23124CKW33J**
	200	62	2	4,5	8,3	575	798	85	1800	2400	23124EW33MH**	23124EKW33MH**
	200	80	2	3	5,5	702	1080	114	1400	1800	24124CW33J**	24124CK30W33J**
	200	80	2	3	5,5	702	1080	114	1400	1800	24124EW33MH**	24124EK30W33MH**
	215	58	2,1	4,5	8,3	608	775	81	1900	2600	22224EW33J**	22224EKW33J**
	215	58	2,1	4,5	8,3	608	775	81	1900	2600	22224EW33MH**	22224EKW33MH**
	215	76	2,1	4,5	8,3	746	1020	107	1500	1900	23224CW33J**	23224CKW33J**
	215	76	2,1	4,5	8,3	746	1020	107	1500	1900	23224EW33MH**	23224EKW33MH**
	260	86	3	6	11,1	1020	1180	119	1400	1800	22324EW33J**	22324EKW33J**
	260	86	3	6	11,1	1020	1180	119	1400	1800	22324EW33MH**	22324EKW33MH**
260	86	3	6	11,1	1020	1180	119	1400	1800	22324EMHD2**	22324EKMHD2**	



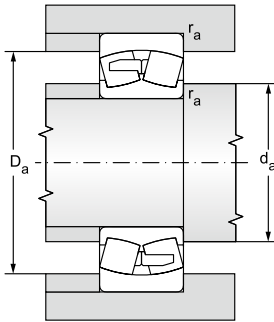
Abutment and fillet dimensions			Weight		Corresp. adapter sleeve	Corresp. withdrawal sleeve	Corresp. nut	Factors			
d _a	D _a	r _a	K					e	Y ₁	Y ₂	Y ₀
min	max	max									
mm			kg								
120	160	2	3,68	3,56	H322	AH322X	KM24	0,24	2,9	4,3	2,8
120	160	2	3,73	3,61	H322	AH322X	KM24	0,24	2,9	4,3	2,8
120	160	2	5,04	4,95	-	-	-	0,32	2,1	3,2	2,1
120	160	2	5,08	5,00	-	-	-	0,32	2,1	3,2	2,1
120	170	2	5,36	5,19	H3122	AH3122X	KM24	0,3	2,3	3,4	2,2
120	170	2	5,45	5,28	H3122	AH3122X	KM24	0,3	2,3	3,4	2,2
120	170	2	6,94	6,83	-	AH24122	KM23	0,35	1,9	2,8	1,9
120	170	2	7,04	6,93	-	AH24122	KM23	0,35	1,9	2,8	1,9
122	188	2	7,09	6,94	H322	AH3122X	KM24	0,25	2,7	4	2,6
122	188	2	7,16	7,01	H322	AH3122X	KM24	0,25	2,7	4	2,6
122	188	2	9,7	9,4	H2322	AH3222X	KM25	0,33	2,1	3,1	2
122	188	2	9,7	9,4	H2322	AH3222X	KM25	0,33	2,1	3,1	2
124	226	2,5	17,2	16,8	H2322	AH2322X	KM25	0,33	2,1	3,1	2
124	226	2,5	17,5	17,1	H2322	AH2322X	KM25	0,33	2,1	3,1	2
124	226	2,5	17,9	17,5	H2322	AH2322X	KM25	0,33	2,1	3,1	2
124	226	2,5	20,50	-	-	-	-	0,38	1,8	2,6	1,7
130	170	2	4,04	3,91	H3024	AH3024X	KM26	0,23	3	4,5	2,9
130	170	2	4,09	3,96	H3024	AH3024X	KM26	0,23	3	4,5	2,9
130	170	2	5,35	5,26	-	AH24024	KM25	0,3	2,3	3,4	2,2
130	170	2	5,42	5,34	-	AH24024	KM25	0,3	2,3	3,4	2,2
130	190	2	7,69	7,45	H3124	AH3124X	KM26	0,28	2,4	3,5	2,3
130	190	2	7,73	7,49	H3124	AH3124X	KM26	0,28	2,4	3,5	2,3
130	190	2	10,1	9,9	-	AH24124	KM26	0,37	1,8	2,7	1,8
130	190	2	10,3	10,1	-	AH24124	KM26	0,37	1,8	2,7	1,8
132	203	2	9,0	8,8	H3124	AH3124X	KM26	0,25	2,7	3,9	2,5
132	203	2	9,1	8,9	H3124	AH3124X	KM26	0,25	2,7	3,9	2,5
132	203	2	11,8	11,5	H2324	AH3224X	KM27	0,33	2	3	2
132	203	2	12,1	11,8	H2324	AH3224X	KM27	0,33	2	3	2
134	246	2,5	21,50	21,10	H2324	AH2324X	KM27	0,33	2,1	3,1	2
134	246	2,5	22,00	21,60	H2324	AH2324X	KM27	0,33	2,1	3,1	2
134	246	2,5	22,30	21,80	H2324	AH2324X	KM27	0,33	2,1	3,1	2

Double row spherical roller bearings

d = 150 to 170 mm



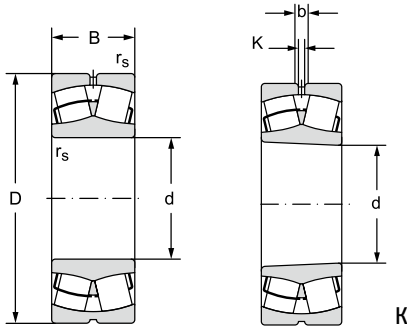
Main dimensions						Basic load rating		Fatigue load limit	Limiting speed for lubrication with		Bearing designation	
d	D	B	r _s	a	b	dynamic C _r	static C _{st}		grease	oil	with cylindrical bore	with tapered bore
mm						kN		min ⁻¹				
130	200	52	2	4,5	8,3	488	711	75	1900	2600	23026CW33J**	23026CKW33J**
	200	52	2	4,5	8,3	488	711	75	1900	2600	23026EW33MH**	23026EKW33MH**
	200	69	2	4,5	8,3	592	978	103	1500	1900	24026CW33J**	24026CK30W33J**
	210	64	2	4,5	8,3	620	913	95	1700	2200	23126CW33J**	23126CKW33J**
	210	64	2	4,5	8,3	620	913	95	1700	2200	23126EW33MH**	23126EKW33MH**
	210	80	2	3	5,5	722	1160	121	1300	1700	24126CW33J**	24126CK30W33J**
	210	80	2	3	5,5	722	1160	121	1300	1700	24126EW33MH**	24126EK30W33MH**
	230	64	3	6	11,1	708	948	97	1800	2400	22226EW33J**	22226EKW33J**
	230	64	3	6	11,1	708	948	97	1800	2400	22226EW33MH**	22226EKW33MH**
	230	80	3	4,5	8,3	828	1180	121	1300	1700	23226CW33J**	23226CKW33J**
	230	80	3	4,5	8,3	828	1180	121	1300	1700	23226EW33MH**	23226EKW33MH**
	280	93	4	7,5	13,9	1180	1380	136	1300	1700	22326EW33J**	22326EKW33J**
280	93	4	7,5	13,9	1180	1380	136	1300	1700	22326EW33MH**	22326EKW33MH**	
280	93	4	7,5	13,9	1180	1380	136	1300	1700	22326EMHD2**	22326EKMHD2**	
140	210	53	2	4,5	8,3	511	781	81	1800	2400	23028CW33J**	23028CKW33J**
	210	53	2	4,5	8,3	511	781	81	1800	2400	23028EW33MH**	23028EKW33MH**
	210	69	2	4,5	8,3	603	1040	107	1400	1800	24028CW33J**	24028CK30W33J**
	210	69	2	4,5	8,3	603	1040	107	1400	1800	24028EW33MH**	24028EK30W33MH**
	225	68	2,1	4,5	8,3	690	1030	105	1600	2000	23128CW33J**	23128CKW33J**
	225	85	2,1	4,5	8,3	814	1330	135	1100	1500	24128CW33J**	24128CK30W33J**
	250	68	3	6	11,1	822	1080	108	1700	2200	22228EW33J**	22228EKW33J**
	250	68	3	6	11,1	822	1080	108	1700	2200	22228EW33MH**	22228EKW33MH**
	250	88	3	6	11,1	985	1370	137	1200	1600	23228CW33J**	23228CKW33J**
	250	88	3	6	11,1	985	1370	137	1200	1600	23228EW33MH**	23228EKW33MH**
	300	102	4	7,5	13,9	1320	1560	150	1200	1500	22328CW33J**	22328CKW33J**
	300	102	4	7,5	13,9	1320	1560	150	1200	1500	22328EW33MH**	22328EKW33MH**
300	102	4	7,5	13,9	1320	1560	150	1200	1500	22328EMHD2**	22328EKMHD2**	



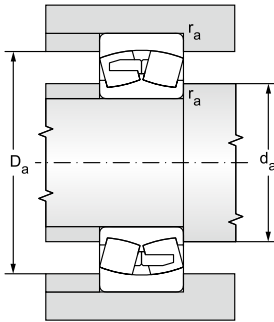
Abutment and fillet dimensions			Weight		Corresp. adapter sleeve	Corresp. withdrawal sleeve	Corresp. nut	Factors			
d _a	D _a	r _a	~ K					e	Y ₁	Y ₂	Y ₀
min	max	max									
mm			kg								
140	190	2	5,85	5,67	H3026	AH3026X	KM28	0,23	2,9	4,3	2,9
140	190	2	5,8	5,7	H3026	AH3026X	KM28	0,23	2,9	4,3	2,9
140	190	2	7,9	7,8	-	AH24026	KM27	0,31	2,2	3,2	2,1
140	200	2	8,5	8,2	H3126	AH3126X	KM28	0,28	2,4	3,6	2,4
140	200	2	8,6	8,4	H3126	AH3126X	KM28	0,28	2,4	3,6	2,4
140	200	2	10,9	10,7	-	AH24126	KM28	0,35	1,9	2,9	1,9
140	200	2	11,0	10,8	-	AH24126	KM28	0,35	1,9	2,9	1,9
144	216	2,5	11,2	11,0	H3126	AH3126X	KM28	0,26	2,6	3,8	2,5
144	216	2,5	11,6	11,3	H3126	AH3126X	KM28	0,26	2,6	3,8	2,5
144	216	2,5	13,9	13,5	H2326	AH3226X	KM29	0,33	2,1	3,1	2
144	216	2,5	14,20	13,70	H2326	AH3226X	KM29	0,33	2,1	3,1	2
148	262	3	26,80	26,20	H2326	AH2326X	KM29	0,33	2,1	3,1	2
148	262	3	27,40	26,80	H2326	AH2326X	KM29	0,33	2,1	3,1	2
148	262	3	28,0	27,4	H2326	AH2326X	KM29	0,33	2,1	3,1	2
150	200	2	6,4	6,2	H3028	AH3028X	KM30	0,22	3	4,5	3
150	200	2	6,6	6,4	H3028	AH3028X	KM30	0,22	3	4,5	3
150	200	2	8,5	8,4	-	AH24028	KM29	0,29	2,3	3,4	2,3
150	200	2	8,5	8,4	-	AH24028	KM29	0,29	2,3	3,4	2,3
152	213	2	10,3	10,0	H3128	AH3128X	KM30	0,27	2,5	3,7	2,4
152	213	2	13,1	12,9	-	AH24128	KM30	0,35	1,9	2,9	1,9
154	236	2,5	14,1	13,8	H3128	AH3128X	KM30	0,25	2,7	3,9	2,5
154	236	2,5	14,3	14,0	H3128	AH3128X	KM30	0,25	2,7	3,9	2,5
154	236	2,5	18,40	17,80	H2328	AH3228X	KM31	0,33	2	3	2
154	236	2,5	18,40	17,80	H2328	AH3228X	KM31	0,33	2,1	3,1	2
158	282	3	33,3	32,6	H2328	AH2328X	KM31	0,34	2	3	2
158	282	3	33,6	32,9	H2328	AH2328X	KM31	0,34	2	3	2
158	282	3	34,9	34,2	H2328	AH2328X	KM31	0,34	2	3	2

Double row spherical roller bearings

d = 180 to 200 mm



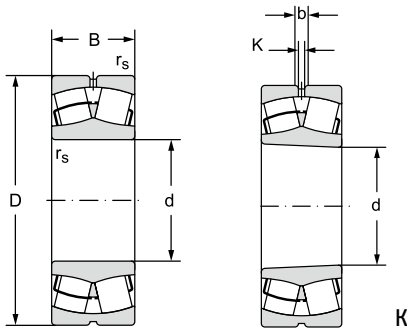
Main dimensions						Basic load rating		Fatigue load limit	Limiting speed for lubrication with		Bearing designation	
d	D	B	r _s	a	b	dynamic C _r	static C _{st}	P _u	grease	oil	with cylindrical bore	with tapered bore
mm						kN		kN	min ⁻¹			
150	225	56	2,1	4,5	8,3	517	881	89	1700	2200	23030CW33J**	23030CKW33J**
	225	56	2,1	4,5	8,3	573	881	89	1700	2200	23030EW33MH**	23030EKW33MH**
	225	75	2,1	4,5	8,3	698	1220	123	1300	1700	24030CW33J**	24030CK30W33J**
	225	75	2,1	4,5	8,3	698	1220	123	1300	1700	24030EW33MH**	24030EK30W33MH**
	250	80	2,1	6	11,1	905	1310	130	1400	1800	23130CW33J**	23130CKW33J**
	250	100	2,1	4,5	8,3	1060	1690	167	1000	1400	24130CW33J**	24130CK30W33J**
	250	100	2,1	4,5	8,3	1060	1690	167	1000	1400	24130EW33MH**	24130EK30W33MH**
	270	73	3	7,5	13,9	949	1260	123	1600	2000	22230EW33J**	22230EKW33J**
	270	73	3	7,5	13,9	949	1260	123	1600	2000	22230EW33MH**	22230EKW33MH**
	270	96	3	6	11,1	1140	1620	158	1100	1500	23230CW33J**	23230CKW33J**
	270	96	3	6	11,1	1140	1620	158	1100	1500	23230EW33MH**	23230EKW33MH**
	320	108	4	9	16,7	1520	1850	175	1000	1400	22330CW33J**	22330CKW33J**
	320	108	4	9	16,7	1520	1850	175	1000	1400	22330EW33MH**	22330EKW33MH**
	320	108	4	9	16,7	1520	1850	175	1000	1400	22330EMHD2**	22330EKMHD2**
160	240	60	2,1	6	11,1	646	1010	100	1700	2200	23032CW33J**	23032CKW33J**
	240	60	2,1	6	11,1	646	1010	100	1700	2200	23032EW33MH**	23032EKW33MH**
	240	80	2,1	4,5	8,3	790	1400	139	1100	1500	24032CW33J**	24032CK30W33J**
	270	86	2,1	6	11,1	1040	1480	143	1300	1700	23132CW33J**	23132CKW33J**
	270	109	2,1	4,5	8,3	1120	1980	192	950	1300	24132CW33J**	24132CK30W33J**
	290	80	3	7,5	13,9	1080	1440	138	1500	1900	22232EW33J**	22232EKW33J**
	290	80	3	7,5	13,9	1080	1440	138	1500	1900	22232EW33MH**	22232EKW33MH**
	290	104	3	7,5	13,9	1260	1840	176	1000	1400	23232CW33J**	23232CKW33J**
	290	104	3	7,5	13,9	1260	1840	176	1000	1400	23232EW33MH**	23232EKW33MH**
	340	114	4	9	16,7	1690	2090	194	1000	1300	22332CW33J**	22332CKW33J**
	340	114	4	9	16,7	1690	2090	194	1000	1300	22332EW33MH**	22332EKW33MH**
	340	114	4	9	16,7	1690	2090	194	1000	1300	22332EMHD2**	22332EKMHD2**
170	260	67	2,1	6	11,1	770	1190	97	1600	2000	23034CW33J**	23034CKW33J**
	260	67	2,1	6	11,1	770	1190	97	1600	2000	23034EW33MH**	23034EKW33MH**
	260	90	2,1	4,5	8,3	962	1660	136	1000	1400	24034CW33J**	24034CK30W33J**
	280	88	2,1	6	11,1	1070	1620	131	1200	1600	23134CW33J**	23134CKW33J**
	280	109	2,1	4,5	8,3	1260	2090	169	900	1200	24134CW33J**	24134CK30W33J**
	310	86	4	7,5	13,9	1190	1600	128	1300	1700	22234CW33J**	22234CKW33J**
	310	86	4	7,5	13,9	1190	1600	128	1300	1700	22234EW33MH**	22234EKW33MH**
	310	110	4	7,5	13,9	1470	2040	163	950	1300	23234CW33J**	23234CKW33J**
	310	110	4	7,5	13,9	1470	2040	163	950	1300	23234EW33MH**	23234EKW33MH**
	360	120	4	9	16,7	1780	2280	179	950	1250	22334CW33J**	22334CKW33J**
	360	120	4	9	16,7	1780	2280	179	950	1250	22334EW33MH**	22334EKW33MH**
	360	120	4	9	16,7	1780	2280	179	950	1250	22334EMHD2**	22334EKMHD2**



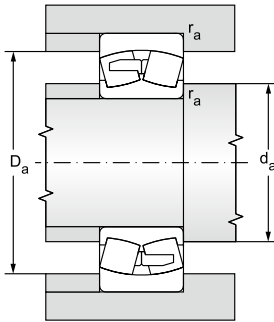
Abutment and fillet dimensions			Weight		Corresp. adapter sleeve	Corresp. withdrawal sleeve	Corresp. nut	Factors			
d _a	D _a	r _a	K					e	Y ₁	Y ₂	Y ₀
min	max	max									
mm			kg								
162	213	2	7,7	7,5	H3030	AH3030X	KM32	0,22	3,1	4,6	3
162	213	2	8,0	7,8	H3030	AH3030X	KM32	0,22	3,1	4,6	3
162	213	2	10,6	10,5	-	AH24030	KM31	0,3	2,3	3,4	2,2
162	213	2	10,6	10,5	-	AH24030	KM31	0,3	2,3	3,4	2,2
162	238	2	15,5	15,0	H3130	AH3130X	KM33	0,29	2,3	3,4	2,3
162	238	2	19,9	19,6	-	AH24130	KM32	0,37	1,8	2,7	1,8
162	238	2	20,0	19,7	-	AH24130	KM32	0,37	1,8	2,7	1,8
164	256	2,5	17,9	17,5	H3130	AH3130X	KM33	0,25	2,7	3,9	2,5
164	256	2,5	18,0	17,6	H3130	AH3130X	KM33	0,25	2,7	3,9	2,5
164	256	2,5	23,3	22,6	H2330	AH3230X	KM33	0,33	2	3	2
164	256	2,5	23,8	23,1	H2330	AH3230X	KM33	0,33	2	3	2
168	302	3	40,3	39,5	H2330	AH2330X	KM33	0,33	2	3	2
168	302	3	41,1	40,3	H2330	AH2330X	KM33	0,33	2	3	2
168	302	3	41,9	41,0	H2330	AH2330X	KM33	0,33	2	3	2
172	228	2	9,4	9,1	H3032	AH3032	KM34	0,22	3,1	4,6	3
172	228	2	9,7	9,4	H3032	AH3032	KM34	0,22	3,1	4,6	3
172	228	2	12,9	12,7	-	AH24032	KM34	0,3	2,3	3,4	2,2
172	258	2	19,4	18,8	H3132	AH3132	KM36	0,32	2,1	3	2
172	258	2	25,7	25,3	-	AH24132	KM34	0,38	1,8	2,7	1,8
174	276	2,5	22,7	22,2	H3132	AH3132	KM36	0,26	2,6	3,8	2,5
174	276	2,5	22,9	22,4	H3132	AH3132	KM36	0,26	2,6	3,9	2,6
174	276	2,5	30,3	29,4	H2332	AH3232	KM36	0,34	2	2,9	1,9
174	276	2,5	25,0	24,1	H2332	AH3232	KM36	0,34	2	2,9	1,9
178	322	3	49,5	48,5	H2332	AH2332	KM36	0,33	2	3	2
178	322	3	50,5	49,5	H2332	AH2332	KM36	0,33	2	3	2
178	322	3	49,8	48,8	H2332	AH2332	KM36	0,33	2	3	2
182	248	2	12,6	12,2	H3034	AH3034	KM36	0,23	2,9	4,4	2,9
182	248	2	12,7	12,3	H3034	AH3034	KM36	0,23	2,9	4,4	2,9
182	248	2	17,3	17,1	-	AH24034	KM36	0,31	2,2	3,2	2,1
182	268	2	21,0	20,4	H3134	AH3134	KM38	0,29	2,4	3,5	2,3
182	268	2	27,0	26,6	-	AH24134	KM36	0,36	1,9	2,8	1,8
188	292	3	27,6	27,0	H3134	AH3134	KM38	0,26	2,6	3,9	2,6
188	292	3	28,0	27,4	H3134	AH3134	KM38	0,26	2,6	3,9	2,6
188	292	3	35,3	34,3	H2334	AH3234	KM38	0,34	2	3	2
188	292	3	36,0	35,0	H2334	AH3234	KM38	0,34	2	3	2
188	342	3	56,8	55,5	H2334	AH2334	KM38	0,34	2	3	2
188	342	3	57,7	58,7	H2334	AH2334	KM38	0,34	2	3	2
188	342	3	59,1	57,8	H2334	AH2334	KM38	0,34	2	3	2

Double row spherical roller bearings

d = 220 to 260 mm



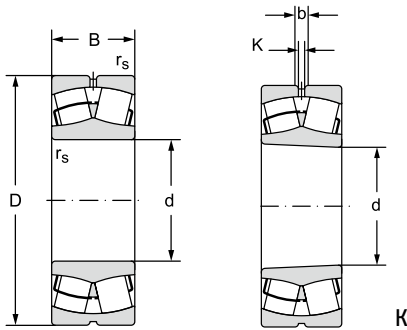
Main dimensions						Basic load rating		Fatigue load limit	Limiting speed for lubrication with		Bearing designation	
d	D	B	r _s	a	b	dynamic C _r	static C _{0r}	P _u	grease	oil	with cylindrical bore	with tapered bore
mm						kN	kN	kN	min ⁻¹			
180	250	52	2	3	5,5	515	919	89	1700	2200	23936CW33J**	23936CKW33J**
	250	52	2	3	5,5	515	919	89	1700	2200	23936EW33MH**	23936EKW33MH**
	280	74	2,1	7,5	13,9	920	1410	134	1400	1800	23036CW33J**	23036CKW33J**
	280	74	2,1	7,5	13,9	920	1410	134	1400	1800	23036EW33MH**	23036EKW33MH**
	280	100	2,1	4,5	8,3	1170	1980	188	950	1300	24036CW33J**	24036CK30W33J**
	280	100	2,1	4,5	8,3	1170	1980	188	950	1300	24036EW33MH**	24036EK30W33MH**
	300	96	3	7,5	13,9	1260	1890	177	1100	1500	23136CW33J**	23136CKW33J**
	300	118	3	6	11,1	1370	2400	225	850	1100	24136CW33J**	24136CK30W33J**
	320	86	4	9	16,7	1230	1700	157	1300	1700	22236CW33J**	22236CKW33J**
	320	86	4	9	16,7	1280	1700	157	1300	1700	22236EW33MH**	22236EKW33MH**
	320	112	4	7,5	13,9	1540	2210	205	900	1200	23236CW33J**	23236CKW33J**
	380	126	4	12	22,3	1950	2530	227	900	1200	22336CW33J**	22336CKW33J**
380	126	4	12	22,3	1950	2530	227	900	1200	22336EW33MH**	22336EKW33MH**	
380	126	4	12	22,3	1950	2530	227	900	1200	22336EMHD2**	22336EKMHD2**	
190	260	52	2	3	5,5	520	966	92	1700	2200	23938EW33MH**	23938EKW33MH**
	290	75	2,1	7,5	13,9	962	1510	142	1300	1700	23038CW33J**	23038CKW33J**
	290	75	2,1	7,5	13,9	962	1510	142	1300	1700	23038EW33MH**	23038EKW33MH**
	290	100	2,1	4,5	8,3	1190	2070	194	920	1250	24038CW33J**	24038CK30W33J**
	290	100	2,1	4,5	8,3	1190	2070	194	920	1250	24038EW33MH**	24038EK30W33MH**
	320	104	3	7,5	13,9	1440	2180	201	1000	1400	23138CW33J**	23138CKW33J**
	320	104	3	7,5	13,9	1440	2180	201	1000	1400	23138EW33MH**	23138EKW33MH**
	340	92	4	9	16,7	1400	1900	173	1200	1600	22238CW33J**	22238CKW33J**
	340	92	4	9	16,7	1400	1900	173	1200	1600	22238EW33MH**	22238EKW33MH**
	340	120	4	9	16,7	1730	2530	230	850	1100	23238CW33J**	23238CKW33J**
	400	132	5	12	22,3	2140	2810	248	850	1100	22338CW33J**	22338CKW33J**
	400	132	5	12	22,3	2140	2810	248	850	1100	22338EW33MH**	22338EKW33MH**
200	280	60	2,1	4,5	8,3	650	1160	109	1600	2000	23940EW33MH**	23940EKW33MH**
	310	82	2,1	7,5	13,9	1120	1730	159	1200	1600	23040CW33J**	23040CKW33J**
	310	82	2,1	7,5	13,9	1120	1730	159	1200	1600	23040EW33MH**	23040EK30W33MH**
	310	109	2,1	6	11,1	1390	2370	218	900	1200	24040CW33J**	24040CK30W33J**
	310	109	2,1	6	11,1	1390	2370	218	900	1200	24040EW33MH**	24040EK30W33MH**
	340	112	3	9	16,7	1630	2410	218	950	1300	23140CW33J**	23140CKW33J**
	340	112	3	9	16,7	1630	2410	218	950	1300	23140EW33MH**	23140EK30W33MH**
	340	140	3	6	11,1	1920	3160	286	800	1000	24140EW33MH**	24140EK30W33MH**
	360	98	4	9	16,7	1560	2140	192	1100	1500	22240CW33J**	22240CKW33J**
	360	98	4	9	16,7	1560	2140	192	1100	1500	22240EW33MH**	22240EKW33MH**
	360	128	4	9	16,7	1930	2850	255	800	1000	23240CW33J**	23240CKW33J**
	420	138	5	12	22,3	2340	3110	270	800	1000	22340CW33J**	22340CKW33J**
420	138	5	12	22,3	2340	3110	270	800	1000	22340EW33MH**	22340EKW33MH**	



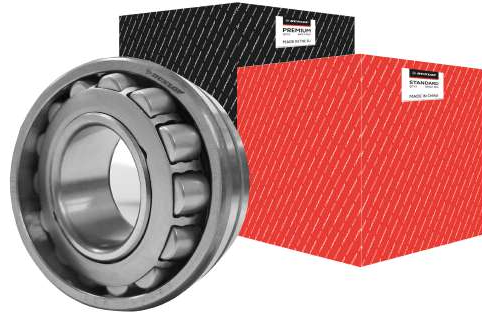
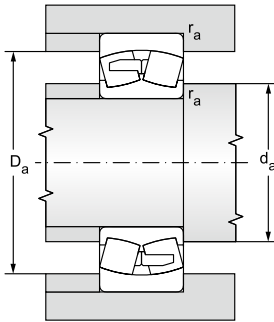
Abutment and fillet dimensions			Weight		Corresp. adapter sleeve	Corresp. withdrawal sleeve	Corresp. nut	Factors			
d _a	D _a	r _a	K					e	Y ₁	Y ₂	Y ₀
min	max	max									
mm			kg								
190	240	2	7,7	7,5	H3936	-	-	0,18	3,7	5,5	3,7
190	240	2	7,7	7,4	H3936	-	-	0,18	3,7	5,5	3,7
192	268	2	16,3	15,8	H3036	AH3036	KM38	0,24	2,9	4,2	2,8
192	268	2	16,5	16,0	H3036	AH3036	KM38	0,24	2,9	4,2	2,8
192	268	2	22,9	22,6	-	AH24036	KM38	0,32	2,1	3,1	2
192	268	2	23,2	22,9	-	AH24036	KM38	0,32	2,1	3,1	2
194	286	2,5	26,6	25,8	H3136	AH3136	KM40	0,29	2,3	3,4	2,3
194	286	2,5	32,9	32,4	-	AH24136	KM38	0,37	1,8	2,7	1,8
198	302	3	29,1	28,4	H3136	AH2236	KM40	0,25	2,7	4	2,7
198	302	3	29,2	28,6	H3136	AH2236	KM40	0,25	2,7	4	2,7
198	302	3	37,5	36,3	H2336	AH2336	KM40	0,33	2,1	3,1	2
198	362	3	65,8	64,3	H2336	AH2336	KM40	0,33	2,1	3,1	2
198	362	3	67,1	65,6	H2336	AH2336	KM40	0,33	2,1	3,1	2
198	362	3	68,3	66,8	H2336	AH2336	KM40	0,33	2,1	3,1	2
200	250	2	8,1	7,8	H3938	-	-	0,17	3,9	5,8	3,8
202	278	2	17,4	16,9	H3038	AH3038	HML41T	0,23	2,9	4,4	2,9
202	278	2	17,6	17,1	H3038	AH3038	HML41T	0,23	2,9	4,4	2,9
202	278	2	23,7	23,3	-	AH24038	KM40	0,31	2,2	3,2	2,1
202	278	2	24,0	23,6	-	AH24038	KM40	0,31	2,2	3,2	2,1
204	306	2,5	33,6	32,6	H3138	AH3138	HM42T	0,3	2,3	3,4	2,2
204	306	2,5	34,5	33,4	H3138	AH3138	HM42T	0,3	2,3	3,4	2,2
208	322	3	35,1	34,3	H3138	AH2238	HM42T	0,25	2,7	4	2,6
208	322	3	35,6	34,8	H3138	AH2238	HM42T	0,25	2,7	4	2,6
208	322	3	45,8	44,4	H2338	AH2338	HM42T	0,33	2	3	2
212	378	4	76,3	74,6	H2338	AH2338	HM42T	0,32	2,1	3,1	2
212	378	4	77,7	76,0	H2338	AH2338	HM42T	0,32	2,1	3,1	2
212	268	2	11,3	11,0	H3940	-	-	0,19	3,6	5,4	3,5
212	298	2	22,2	21,5	H3040	AH3040	HML43T	0,24	2,9	4,3	2,8
212	298	2	22,5	21,8	H3040	AH3040	HML43T	0,24	2,9	4,3	2,8
212	298	2	30,1	29,6	-	AH24040	HM42T	0,32	2,1	3,1	2,1
212	298	2	30,8	30,3	-	AH24040	HM42T	0,32	2,1	3,1	2,1
214	326	2,5	40,5	39,2	H3140	AH3140	HM44T	0,3	2,2	3,3	2,2
214	326	2,5	41,5	40,2	H3140	AH3140	HM44T	0,3	2,2	3,3	2,2
214	326	2,5	53,4	52,6	-	AH24140	HM42T	0,39	1,9	2,6	1,7
218	342	3	43,0	42,0	H3140	AH2240	HM44T	0,25	2,6	3,9	2,6
218	342	3	42,7	41,7	H3140	AH2240	HM44T	0,25	2,6	3,9	2,6
218	342	3	55,1	53,5	H2340	AH2340	HM44T	0,33	2	3	2
222	398	4	89,2	87,2	H2340	AH2340	HM44T	0,32	2,1	3,1	2
222	398	4	90,7	88,7	H2340	AH2340	HM44T	0,32	2,1	3,1	2

Double row spherical roller bearings

d = 280 to 340 mm



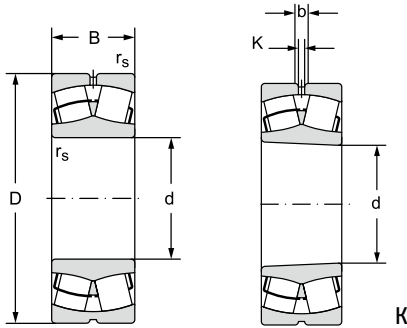
Main dimensions						Basic load rating		Fatigue load limit	Limiting speed for lubrication with		Bearing designation	
d	D	B	r _s	a	b	dynamic C _r	static C _{st}	P _u	grease	oil	with cylindrical bore	with tapered bore
mm						kN		kN	min ⁻¹			
220	300	60	2,1	4,5	8,3	680	1330	122	1500	1900	23944CW33J**	23944CKW33J**
	300	60	2,1	4,5	8,3	680	1330	122	1500	1900	23944EW33MH**	23944EKW33MH**
	340	90	3	7,5	13,9	1320	2090	187	1100	1500	23044CW33J**	23044CKW33J**
	340	90	3	7,5	13,9	1320	2090	187	1100	1500	23044EW33MH**	23044EKW33MH**
	340	118	3	6	11,1	1650	2830	253	850	1100	24044CW33J**	24044CK30W33J**
	340	118	3	6	11,1	1650	2830	253	850	1100	24044EW33MH**	24044EK30W33MH**
	370	120	4	9	16,7	1880	2890	255	900	1200	23144CW33J**	23144CKW33J**
	370	120	4	9	16,7	1880	2890	255	900	1200	23144EW33MH**	23144EKW33MH**
	370	150	4	6	11,1	2200	3690	325	750	950	24144EW33MH**	24144EK30W33MH**
	400	108	4	9	16,7	1900	2630	228	950	1300	22244CW33J**	22244CKW33J**
	400	108	4	9	16,7	1900	2630	228	950	1300	22244EW33MH**	22244EKW33MH**
	400	144	4	9	16,7	2400	3610	314	750	950	23244CW33J**	23244CKW33J**
	460	145	5	12	22,3	2660	3570	302	750	950	22344CW33J**	22344CKW33J**
	460	145	5	12	22,3	2660	3570	302	750	950	22344EW33MH**	22344EKW33MH**
240	320	60	2,1	4,5	8,3	695	1450	130	1300	1700	23948EW33MH**	23948EKW33MH**
	360	92	3	7,5	13,9	1390	2310	203	1000	1400	23048CW33J**	23048CKW33J**
	360	92	3	7,5	13,9	1390	2310	203	1000	1400	23048EW33MH**	23048EKW33MH**
	360	118	3	6	11,1	1690	3060	268	800	1000	24048EW33MH**	24048EK30W33MH**
	400	128	4	9	16,7	2160	3340	287	850	1100	23148CW33J**	23148CKW33J**
	400	128	4	9	16,7	2160	3340	287	850	1100	23148EW33MH**	23148EKW33MH**
	400	160	4	6	11,1	2510	4260	366	670	850	24148EW33MH**	24148EK30W33MH**
	440	120	4	12	22,3	2050	3070	259	900	1200	22248CW33J**	22248CKW33J**
	440	160	4	12	22,3	2870	4150	351	670	850	23248EW33MH**	23248EKW33MH**
	500	155	5	12	22,3	2980	4020	331	670	850	22348CW33J**	22348CKW33J**
	500	155	5	12	22,3	2980	4020	331	670	850	22348EW33MH**	22348EKW33MH**
260	360	75	2,1	4,5	8,3	970	1930	168	1100	1500	23952CW33J**	23952CKW33J**
	360	75	2,1	4,5	8,3	970	1930	168	1100	1500	23952EW33MH**	23952EKW33MH**
	400	104	4	9	16,7	1650	2790	238	900	1200	23052CW33J**	23052CKW33J**
	400	104	4	9	16,7	1650	2790	238	900	1200	23052EW33MH**	23052EKW33MH**
	400	140	4	6	11,1	2190	4020	343	700	900	24052EW33MH**	24052EK30W33MH**
	440	144	4	9	16,7	2610	4130	346	800	1000	23152CW33J**	23152CKW33J**
	440	144	4	9	16,7	2610	4130	346	800	1000	23152EW33MH**	23152EKW33MH**
	440	180	4	7,5	13,9	3100	5320	446	600	750	24152EW33MH**	24152EK30W33MH**
	480	130	5	12	22,3	2650	3600	290	850	1100	22252EW33MH**	22252EKW33MH**
	480	174	5	12	22,3	3250	4850	399	630	800	23252EW33MH**	23252EKW33MH**
	540	165	6	12	22,3	3400	4670	376	630	800	22352CW33J**	22352CKW33J**
	540	165	6	12	22,3	3400	4670	376	630	800	22352EW33MH**	22352EKW33MH**



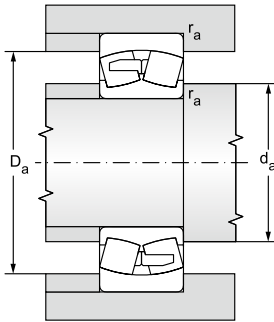
Abutment and fillet dimensions			Weight		Corresp. adapter sleeve	Corresp. withdrawal sleeve	Corresp. nut	Factors			
d _a	D _a	r _a	K					e	Y ₁	Y ₂	Y ₀
min	max	max									
mm			kg								
232	288	2	12,7	12,3	H3944	-	-	0,16	4,2	6,3	4
232	288	2	12,4	12,1	H3944	-	-	0,16	4,2	6,3	4
234	326	2,5	29,2	28,3	H3044	AH3044	HML47T	0,24	2,9	4,3	2,8
234	326	2,5	29,6	28,7	H3044	AH3044	HML47T	0,24	2,9	4,3	2,8
234	326	2,5	39	38,3	-	AOH24044	HM46T	0,32	2,3	3,1	2,1
234	326	2,5	39,7	39	-	AOH24044	HM46T	0,32	2,3	3,1	2,1
238	352	3	50,8	49,2	H3144	AH3144	HM48T	0,3	2,3	3,4	2,2
238	352	3	52,3	50,7	H3144	AH3144	HM48T	0,3	2,3	3,4	2,2
238	352	3	67,1	66,1	-	AOH24144	HM46T	0,38	1,8	2,6	1,7
238	382	3	58,8	57,5	H3144	AH2244	HM48T	0,25	2,7	4	2,6
238	382	3	58,6	57,3	H3144	AH2244	HM48T	0,25	2,7	4	2,6
238	382	3	77,9	75,5	H2344	AH2344	HM48T	0,34	2	3	2
242	438	4	111,0	109,0	H2344	AH2344	HM48T	0,31	2,2	3,2	2,1
242	438	4	112,0	110,0	H2344	AH2344	HM48T	0,31	2,2	3,2	2,1
252	308	2	13,3	13	H3948	-	-	0,15	4,5	6,7	4,5
254	346	2,5	32	31	H3048	AH3048	HM52T	0,23	3	4,5	2,9
254	346	2,5	32,4	31,4	H3048	AH3048	HM52T	0,23	3	4,5	2,9
254	346	2,5	42,8	42,1	-	AOH24048	HM50T	0,3	2,3	3,4	2,2
258	382	3	63,0	61,0	H3148	AH3148	HM52T	0,29	2,3	3,4	2,3
258	382	3	64,5	62,5	H3148	AH3148	HM52T	0,29	2,3	3,4	2,3
258	382	3	82,5	81,3	-	AOH24148	HM52T	0,38	1,8	2,7	1,8
258	422	3	80,0	78,2	H3148	AH2248	HM52T	0,26	2,6	3,9	2,6
258	422	3	107,0	104,0	H2348	AH2348	HM52T	0,35	1,9	2,9	1,8
262	478	4	140,0	137,0	H2348	AH2348	HM52T	0,3	2,2	3,3	2,2
262	478	4	142,0	139,0	H2348	AH2348	HM52T	0,3	2,2	3,3	2,2
272	348	2	23,4	22,6	H3952	-	-	0,18	3,7	5,5	3,7
272	348	2	22,9	22,2	H3952	-	-	0,18	3,7	5,5	3,7
278	382	3	45,8	44,4	H3052	AH3052	HM56T	0,23	2,9	4,3	2,9
278	382	3	46,4	44,9	H3052	AH3052	HM56T	0,23	2,9	4,3	2,9
278	382	3	65	63,9	-	AOH24052	HM56T	0,32	2,1	3,1	2,1
278	422	3	87,8	85,0	H3152	AH3152	HM58T	0,32	2	3,1	2
278	422	3	90,3	87,5	H3152	AH3152	HM58T	0,32	2	3,1	2
278	422	3	115,0	113,0	-	AOH24152	HM56T	0,39	1,8	2,6	1,7
282	458	4	108,0	106,0	H3152	AH2252	HM58T	0,29	2,3	3,4	2,2
282	458	4	138,0	133,0	H2352	AH2352	HM58T	0,37	1,8	2,6	1,7
288	512	5	173,0	170,0	H2352	AH2352	HM58T	0,3	2,3	3,4	2,2
288	512	5	175	172	H2352	AH2352	HM58T	0,3	2,3	3,4	2,2

Double row spherical roller bearings

d = 360 to 440 mm



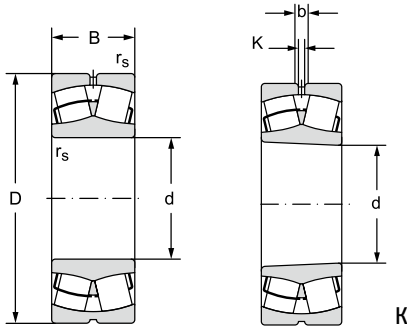
Main dimensions						Basic load rating		Fatigue load limit	Limiting speed for lubrication with		Bearing designation	
d	D	B	r _s	a	b	dynamic C _r	static C _{st}	P _u	grease	oil	with cylindrical bore	with tapered bore
mm						kN		kN	min ⁻¹			
280	380	75	2,1	4,5	8,3	1000	2100	179	1000	1400	23956EW33MH**	23956EKW33MH**
	420	106	4	9	16,7	1740	3060	256	850	1100	23056CW33J**	23056CKW33J**
	420	106	4	9	16,7	1740	3060	256	850	1100	23056EW33MH**	23056EKW33MH**
	420	140	4	6	11,1	2240	4280	358	670	850	24056EW33MH**	24056EK30W33MH**
	460	146	5	9	16,7	2650	4470	368	750	950	23156CW33J**	23156CKW33J**
	460	146	5	9	16,7	2650	4470	368	750	950	23156EW33MH**	23156EKW33MH**
	460	180	5	7,5	13,9	3220	5630	464	560	700	24156EW33MH**	24156EK30W33MH**
	500	130	5	12	22,3	2700	3950	312	800	1000	22256EW33MH**	22256EKW33MH**
	500	176	5	12	22,3	3340	5240	425	600	750	23256EW33MH**	23256EKW33MH**
	580	175	6	12	22,3	3840	5340	420	600	750	22356CW33J**	22356CKW33J**
580	175	6	12	22,3	3840	5340	420	600	750	22356EW33MH**	22356EKW33MH**	
300	420	90	3	6	11,1	1360	2690	223	950	1300	23960EW33MH**	23960EKW33MH**
	460	118	4	9	16,7	2100	3720	304	800	1000	23060CW33J**	23060CKW33J**
	460	118	4	9	16,7	2100	3720	304	800	1000	23060EW33MH**	23060EKW33MH**
	460	160	4	7,5	13,9	2670	5230	427	600	750	24060CW33J**	24060CK30W33J**
	460	160	4	7,5	13,9	2670	5230	427	600	750	24060EW33MH**	24060EK30W33MH**
	500	160	5	9	16,7	3050	5160	415	670	850	23160CW33J**	23160CKW33J**
	500	160	5	9	16,7	3050	5160	415	670	850	23160EW33MH**	23160EKW33MH**
	500	200	5	7,5	13,9	3590	6790	546	530	670	24160EW33MH**	24160EK30W33MH**
	540	140	5	12	22,3	3150	4350	345	750	950	22260EW33MH**	22260EKW33MH**
	540	192	5	12	22,3	3750	6150	488	530	670	23260EW33MH**	23260EKW33MH**
320	440	90	3	6	11,1	1380	2830	231	900	1200	23964EW33MH**	23964EKW33MH**
	480	121	4	9	16,7	2180	4090	329	750	950	23064CW33J**	23064CKW33J**
	480	121	4	9	16,7	2180	4090	329	750	950	23064EW33MH**	23064EKW33MH**
	480	160	4	7,5	13,9	2750	5500	443	560	700	24064CW33J**	24064CK30W33J**
	480	160	4	7,5	13,9	2750	5500	443	560	700	24064EW33MH**	24064EK30W33MH**
	540	176	5	12	22,3	3560	6150	484	630	800	23164CW33J**	23164CKW33J**
	540	176	5	12	22,3	3560	6150	484	630	800	23164EW33MH**	23164EKW33MH**
	540	218	5	9	16,7	4120	7870	620	480	600	24164EW33MH**	24164EK30W33MH**
	580	150	5	12	22,3	3600	5000	388	670	850	22264EW33MH**	22264EKW33MH**
	580	208	5	12	22,3	4160	7070	549	500	630	23264EW33MH**	23264EKW33MH**



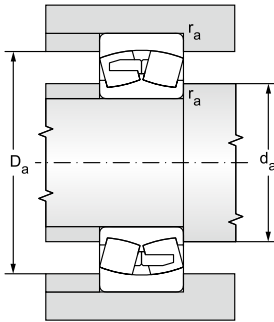
Abutment and fillet dimensions			Weight		Corresp. adapter sleeve	Corresp. withdrawal sleeve	Corresp. nut	Factors			
d _a	D _a	r _a	K					e	Y ₁	Y ₂	Y ₀
min	max	max									
mm			kg								
292	368	2	25	24,2	H3956	-	-	0,16	4,2	6,3	4
298	402	3	50	48,4	H3056	AH3056	HM3060	0,22	3	4,5	3
298	402	3	51,5	49,9	H3056	AH3056	HM3060	0,22	3	4,5	3
298	402	3	69,7	68,6	-	AOH24056	HM58T	0,3	2,2	3,3	2,2
302	438	4	93,9	90,8	H3156	AH3156	HM62T	0,29	2,3	3,5	2,3
302	438	4	96,5	93,4	H3156	AH3156	HM62T	0,29	2,3	3,5	2,3
302	438	4	121,0	119,0	-	AOH24156	HM3160	0,37	1,8	2,7	1,8
302	478	4	113,0	110,0	H3156	AH2256	HM62T	0,28	2,4	3,5	2,3
302	478	4	148,0	143,0	H2356	AH2356	HM62T	0,36	1,9	2,7	1,8
308	552	5	211	207	H2356	AH2356	HM62T	0,3	2,3	3,4	2,2
308	552	5	214	209	H2356	AH2356	HM62T	0,3	2,3	3,4	2,2
314	406	2,5	38,3	37	H3960	-	-	0,19	3,6	5,4	3,5
318	442	3	69,6	67,5	H3060	AH3060	HM3064	0,23	3	4,4	2,9
318	442	3	71,5	69,4	H3060	AH3060	HM3064	0,23	3	4,4	2,9
318	442	3	98,1	96,6	-	AOH24060	HM62T	0,32	2,1	3,2	2,1
318	442	3	97,7	96,2	-	AOH24060	HM62T	0,32	2,1	3,2	2,1
322	478	4	123	119	H3160	AH3160	HM66T	0,29	2,3	3,4	2,3
322	478	4	127	123	H3160	AH3160	HM66T	0,29	2,3	3,4	2,3
322	478	4	163	160	-	AOH24160	HM3164	0,37	1,8	2,7	1,8
322	518	4	143	140	H3160	AH2260	HM66T	0,27	2,5	3,6	2,4
422	518	4	188	183	H3260	AH3260	HM66T	0,36	1,8	2,7	1,8
334	426	2,5	40,4	39,1	H3964	-	-	0,18	3,8	5,7	3,7
338	462	3	76,1	73,7	H3064	AH3064	HML69T	0,22	3	4,5	3
338	462	3	76,8	74,4	H3064	AH3064	HML69T	0,22	3	4,5	3
338	462	3	103	101	-	AOH24064	HM66T	0,3	2,2	3,3	2,2
338	462	3	103	101	-	AOH24064	HM66T	0,3	2,2	3,3	2,2
342	518	4	160	155	H3164	AH3164	HM70T	0,3	2,2	3,3	2,2
342	518	4	162	157	H3164	AH3164	HM70T	0,3	2,2	3,3	2,2
342	518	4	208	205	-	AOH24164	HM3168	0,38	1,8	2,6	1,7
342	558	4	172	166	H3164	AH2264	HM70T	0,27	2,5	3,6	2,3
342	558	4	238	231	H3264	AH3246	HM70T	0,37	1,8	2,6	1,7

Double row spherical roller bearings

d = 460 to 600 mm



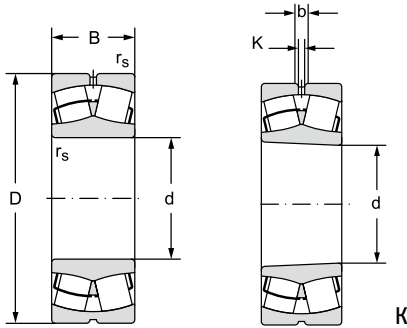
Main dimensions						Basic load rating		Fatigue load limit	Limiting speed for lubrication with		Bearing designation	
d	D	B	r _s	a	b	dynamic C _r	static C _{0r}	P _u	grease	oil	with cylindrical bore	with tapered bore
mm						kN		kN	min ⁻¹			
340	460	90	3	6	11,1	1410	3020	243	880	1150	23968EW33MH**	23968EKW33MH**
	520	133	5	12	22,3	2680	4750	374	700	900	23068EW33MH**	23068EKW33MH**
	520	180	5	9	16,7	3280	6710	528	530	670	24068EW33MH**	24068EK30W33MH**
	580	190	5	12	22,3	4240	7080	546	600	750	23168CW33J**	23168CKW33J**
	580	190	5	12	22,3	4240	7080	546	600	750	23168EW33MH**	23168EKW33MH**
	580	243	5	9	16,7	4800	9490	732	450	560	24168EW33MH**	24168EK30W33MH**
	620	224	6	12	22,3	4840	8200	625	450	560	23268EW33MH**	23268EKW33MH**
360	480	90	3	6	11,1	1430	3210	255	850	1100	23972EW33MH**	23972EKW33MH**
	540	134	5	12	22,3	2740	5080	395	670	850	23072EW33MH**	23072EKW33MH**
	540	180	5	9	16,7	3330	7110	552	500	630	24072EW33MH**	24072EK30W33MH**
	600	192	5	12	22,3	4250	7500	571	560	700	23172EW33MH**	23172EKW33MH**
	600	243	5	9	16,7	4870	9970	759	430	530	24172EW33MH**	24172EK30W33MH**
	650	232	6	12	22,3	5650	9230	660	430	530	23272EW33MH**	23272EKW33MH**
380	520	106	4	7,5	13,9	1850	4030	313	800	1000	23976EW33MH**	23976EKW33MH**
	560	135	5	12	22,3	2810	5370	412	630	800	23076EW33MH**	23076EKW33MH**
	560	180	5	9	16,7	3420	7420	569	480	600	24076EW33MH**	24076EK30W33MH**
	620	194	5	12	22,3	4380	7960	599	530	670	23176EW33MH**	23176EKW33MH**
	620	243	5	9	16,7	5000	10500	789	400	500	24176EW33MH**	24176EK30W33MH**
	680	240	6	12	22,3	5600	9550	706	400	500	23276EW33MH**	23276EKW33MH**
400	540	106	4	7,5	13,9	1900	4260	327	750	950	23980EW33MH**	23980EKW33MH**
	600	148	5	12	22,3	3120	6080	458	560	700	23080EW33MH**	23080EKW33MH**
	600	200	5	12	22,3	4050	8660	652	450	560	24080EW33MH**	24080EK30W33MH**
	650	200	6	12	22,3	4550	8750	649	500	630	23180EW33MH**	23180EKW33MH**
	650	250	6	12	22,3	5410	11200	827	380	480	24180EW33MH**	24180EK30W33MH**
	720	256	6	12	22,3	6300	10900	793	360	450	23280EW33MH**	23280EKW33MH**
	820	243	7,5	12	22,3	7060	11000	781	400	500	22380EW33MH**	22380EKW33MH**
420	560	106	4	7,5	13,9	1980	4490	340	700	900	23984EW33MH**	23984EKW33MH**
	620	150	5	12	22,3	3200	6520	485	530	670	23084EW33MH**	23084EKW33MH**
	620	200	5	12	22,3	4070	8820	656	400	500	24084EW33MH**	24084EK30W33MH**
	700	224	6	12	22,3	5420	10000	730	450	560	23184EW33MH**	23184EKW33MH**
	700	280	6	12	22,3	6440	13500	980	340	430	24184EW33MH**	24184EK30W33MH**
	760	272	7,5	12	22,3	6870	11800	845	340	430	23284EW33MH**	23284EKW33MH**



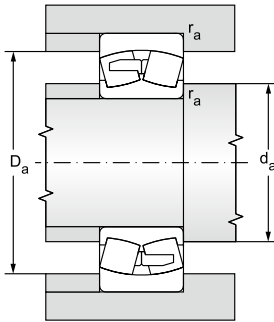
Abutment and fillet dimensions			Weight		Corresp. adapter sleeve	Corresp. withdrawal sleeve	Corresp. nut	Factors			
d _a	D _a	r _a	K					e	Y ₁	Y ₂	Y ₀
min	max	max									
mm			kg								
354	446	2,5	43,3	41,9	H3968	-	-	0,17	4	6	3,9
362	498	4	100	97,4	H3068	AH3068	HML73T	0,23	2,9	4,4	2,9
362	498	4	141	139	-	AOH24068	HM3072	0,33	2	3	2
362	558	4	201	195	H3168	AH3168	HM74T	0,3	2,2	3,3	2,2
362	558	4	206	199	H3168	AH3168	HM74T	0,3	2,2	3,3	2,2
362	558	4	271	267	-	AOH24168	HM3172	0,4	1,7	2,5	1,7
368	592	5	295	286	H3268	AH3268	HM74T	0,37	1,8	2,6	1,7
374	466	2,5	45,3	43,9	H3972	-	-	0,16	4,2	6,2	4,1
382	518	4	107	104	H3072	AH3072	HML77T	0,22	3,1	4,6	3
382	518	4	148	145	-	AOH24072	HM3076	0,3	2,2	3,3	2,2
382	578	4	217	210	H3172	AH3172	HM3180	0,3	2,3	3,4	2,2
382	578	4	284	279	-	AH24172	HM3176	0,38	1,8	2,6	1,7
388	622	5	332	322	H3272	AH3272	HM3180	0,35	1,9	2,9	1,8
398	502	3	66,1	63,9	H3976	-	-	0,18	3,8	5,7	3,8
402	538	4	112	109	H3076	AH3076	HML82T	0,21	3,2	4,7	3,1
402	538	4	154	152	-	AOH24076	HM3080	0,29	2,3	3,5	2,3
402	598	4	231	224	H3176	AH3176	HM3184	0,29	2,3	3,5	2,3
402	598	4	296	291	-	AOH24176	HM3180	0,36	1,9	2,8	1,8
408	652	5	372	360	H3276	AH3276	HM3184	0,36	1,9	2,7	1,8
418	522	3	69,4	67,1	H3980	-	-	0,17	4	5,9	3,9
422	578	4	145	140	H3080	AH3080	HML86T	0,22	3,1	4,6	3
422	578	4	200	197	-	AOH24080	HM3084	0,3	2,2	3,3	2,2
428	622	5	263	255	H3180	AH3180	HM3188	0,28	2,4	3,8	2,4
428	622	5	428	622	-	AOH24180	HM3184	0,35	1,9	2,8	1,9
428	692	5	450	437	H3280	AH3280	HM3188	0,36	1,8	2,7	1,8
436	784	6	603	591	H3280	AH3280	HM3188	0,29	2,3	3,5	2,3
438	542	3	72,3	69,9	H3984	-	-	0,16	4,2	6,3	4
442	598	4	154	149	H3084	AH3084	HML90T	0,21	3,1	4,7	3,1
442	598	4	206	203	-	AOH24084	HM3088	0,3	2,3	3,4	2,2
448	672	5	343	333	H3184	AH3184	HM3192	0,3	2,3	3,4	2,2
448	672	5	445	438	-	AOH24184	HM3188	0,37	1,8	2,7	1,8
456	724	6	535	520	H3284	AH3284	HM3192	0,36	1,7	2,7	1,8

Double row spherical roller bearings

d = 630 to 850 mm



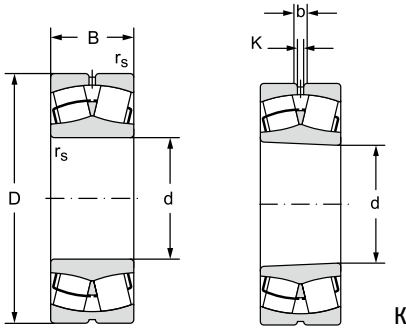
Main dimensions						Basic load rating		Fatigue load limit	Limiting speed for lubrication with		Bearing designation	
d	D	B	r _s	a	b	dynamic C _r	static C _{st}	P _u	grease	oil	with cylindrical bore	with tapered bore
mm						kN		kN	min ⁻¹			
440	600	118	4	9	16,7	2290	5050	376	670	850	23988EW33MH**	23988EKW33MH**
	650	157	6	12	22,3	3500	7170	526	500	630	23088EW33MH**	23088EKW33MH**
	650	212	6	12	22,3	4390	9990	733	380	480	24088EW33MH**	24088EK30W33MH**
	720	226	6	12	22,3	5600	10600	766	430	530	23188EW33MH**	23188EKW33MH**
	720	280	6	12	22,3	6530	14000	1000	320	400	24188EW33MH**	24188EK30W33MH**
	790	280	7,5	12	22,3	7570	13200	933	320	400	23288EW33MH**	23288EKW33MH**
460	620	118	4	9	16,7	2310	5190	382	600	750	23992EW33MH**	23992EKW33MH**
	680	163	6	12	22,3	3800	7830	566	480	600	23092EW33MH**	23092EKW33MH**
	680	218	6	12	22,3	4650	10600	767	360	450	24092EW33MH**	24092EK30W33MH**
	760	240	7,5	12	22,3	6220	11950	847	400	500	23192EW33MH**	23192EKW33MH**
	760	300	7,5	12	22,3	7370	15500	1100	300	380	24192EW33MH**	24192EK30W33MH**
	830	296	7,5	12	22,3	8150	14100	983	300	380	23292EW33MH**	23292EKW33MH**
480	650	128	5	9	16,7	2680	6070	440	560	700	23996EW33MH**	23996EKW33MH**
	700	165	6	12	22,3	3910	8240	590	450	560	23096EW33MH**	23096EKW33MH**
	700	218	6	12	22,3	4870	11200	802	340	430	24096EW33MH**	24096EK30W33MH**
	790	248	7,5	12	22,3	6660	12900	901	380	480	23196EW33MH**	23196EKW33MH**
	790	308	7,5	12	22,3	7690	16300	1140	280	360	24196EW33MH**	24196EK30W33MH**
	870	310	7,5	12	22,3	9200	16500	1130	280	360	23296EW33MH**	23296EKW33MH**
500	670	128	5	9	16,7	2760	6220	447	530	670	239500EW33MH**	239500EKW33MH**
	720	167	6	12	22,3	4000	8300	588	430	530	230500EW33MH**	230500EKW33MH**
	720	218	6	12	22,3	4930	11500	815	320	400	240500EW33MH**	240500EK30W33MH**
	830	264	7,5	12	22,3	7300	14200	981	360	450	231500EW33MH**	231500EKW33MH**
	830	325	7,5	12	22,3	8540	17700	1220	260	340	241500EW33MH**	241500EK30W33MH**
	920	336	7,5	12	22,3	10400	18800	1270	260	340	232500EW33MH**	232500EKW33MH**
530	710	136	5	12	22,3	2970	6940	490	500	630	239530EW33MH**	239530EKW33MH**
	780	185	6	12	22,3	4780	9940	690	400	500	230530EW33MH**	230530EKW33MH**
	780	250	6	12	22,3	6050	14100	978	280	360	240530EW33MH**	240530EK30W33MH**
	870	272	7,5	12	22,3	7920	15500	1050	340	430	231530EW33MH**	231530EKW33MH**
	870	335	7,5	12	22,3	10100	19800	1340	240	320	241530EK30W33MH**	241530EK30W33MH**
	980	355	9,5	12	22,3	11600	20400	1360	240	320	232530EW33MH**	232530EKW33MH**
560	750	140	5	12	22,3	3300	7800	511	480	600	239560EW33MH**	239560EKW33MH**
	820	195	6	12	22,3	5280	11000	751	380	480	230560EW33MH**	230560EKW33MH**
	820	258	6	12	22,3	6430	15500	1060	260	340	240560EW33MH**	240560EK30W33MH**
	920	280	7,5	12	22,3	8580	16800	1120	320	400	231560EW33MH**	231560EKW33MH**
	920	355	7,5	12	22,3	10300	22100	1700	220	300	241560EK30W33MH**	241560EK30W33MH**
	1030	365	9,5	12	22,3	12400	22500	1680	240	320	232560EW33MH**	232560EKW33MH**



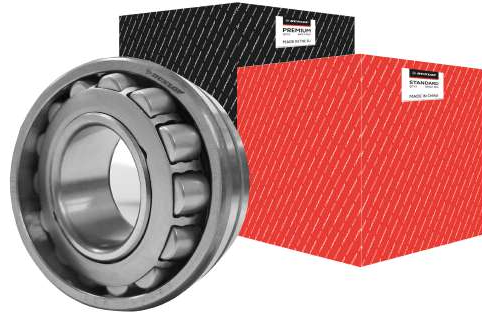
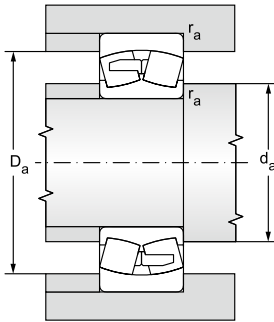
Abutment and fillet dimensions			Weight		Corresp. adapter sleeve	Corresp. withdrawal sleeve	Corresp. nut	Factors			
d _a	D _a	r _a	K					e	Y ₁	Y ₂	Y ₀
min	max	max									
mm			kg								
458	582	3	96	92,8	H3988	-	-	0,16	4,2	6,3	4
468	622	5	178	172	H3088	AH3088X	HML94T	0,21	3,2	4,7	3,1
468	622	5	240	236	-	AOH24088	HML92T	0,3	2,3	3,4	2,2
468	692	5	361	349	H3188	AH3188X	HM3196	0,29	2,3	3,5	2,3
468	692	5	465	458	-	AOH24188	HM3192	0,37	1,8	2,7	1,8
476	754	6	590	572	H3288	AH3288X	HM3196	0,36	1,8	2,7	1,8
478	602	3	101	98	H3992	-	-	0,16	4,1	6,1	4
488	652	5	202	196	H3092	AH3092X	HML98T	0,21	3,2	4,7	3,1
488	652	5	269	264	-	AOH24092	HML96T	0,28	2,4	3,6	2,4
496	724	6	436	423	H3192	AH3192X	HM102T	0,29	2,3	3,5	2,3
496	724	6	556	547	-	AOH24192	HM3196	0,37	1,8	2,7	1,8
496	794	6	690	669	H3292	AH3292X	HM102T	0,35	1,9	2,9	1,8
502	628	4	122	118	H3996	-	-	0,17	4	5,9	3,9
508	672	5	212	206	H3096	AH3096X	HML104T	0,21	3,2	4,8	3,2
508	672	5	279	274	-	AOH24096	HML100T	0,28	2,4	3,6	2,4
516	754	6	485	470	H3196	AH3196X	HM31/530	0,29	2,3	3,5	2,3
516	754	6	613	604	-	AOH24196	HM31/500	0,37	1,8	2,7	1,8
516	834	6	795	771	H3296	AH3296X	HM31/530	0,35	1,9	2,9	1,8
522	648	4	130	126	H39/500	-	-	0,17	4	5,9	4
528	692	5	221	213	H30/500	AH30/500X	HML108T	0,22	3	4,3	2,9
528	692	5	288	283	-	AOH240/500	HML106T	0,26	2,6	3,9	2,5
536	794	6	572	552	H31/500	AH31/500X	HM110T	0,31	2,1	3	2
536	794	6	720	709	-	AOH241/500	HM31/530	0,37	1,8	2,7	1,8
536	884	6	976	946	H32/500	AH32/500X	HM110T	0,35	1,9	2,9	1,9
552	668	4	156	151	H39/530	-	-	0,17	4	5,9	4
558	752	5	300	291	H30/530	AH30/530	HM30/560	0,22	3	4,3	2,9
558	752	5	402	396	-	AOH240/530	HML110T	0,28	2,4	3,6	2,4
566	834	6	640	620	H31/530	AH31/530	HM31/560	0,3	2,3	3,4	2,2
566	834	6	805	793	-	AOH241/530	HM110T	0,36	1,9	2,8	1,8
574	936	8	1180	1150	H32/530	AH32/530	HM116T	0,35	1,9	2,9	1,8
582	728	4	173	167	H39/560	-	-	0,16	4,2	6,3	4
588	792	5	345	334	H30/560	AH30/560X	HM30/600	0,22	3,1	4,6	3
588	792	5	472	464	-	AOH240/560	HML116T	0,28	2,4	3,5	2,3
596	884	6	736	713	H31/560	AH31/560	HM31/600	0,3	2,3	3,4	2,2
596	884	6	955	940	-	AOH241/560	HM116T	0,35	1,9	2,9	1,8
604	986	8	1330	1290	H32/560	AH32/560X	HM31/600	0,34	2	3	2

Double row spherical roller bearings

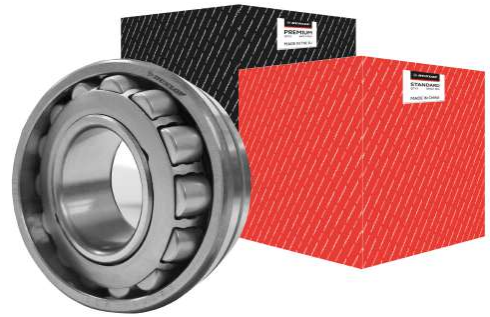
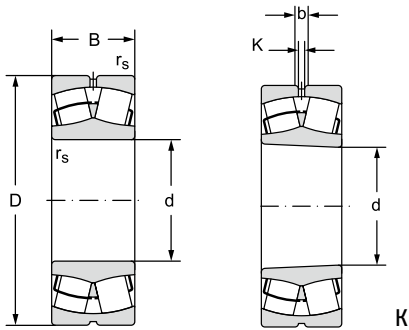
d = 900 to 1120 mm



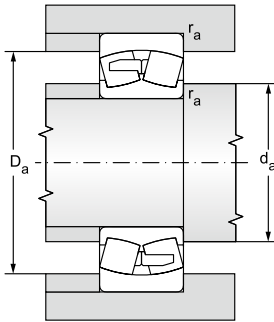
Main dimensions						Basic load rating		Fatigue load limit	Limiting speed for lubrication with		Bearing designation	
d	D	B	r _s	a	b	dynamic C _r	static C _{st}	P _u	grease	oil	with cylindrical bore	with tapered bore
mm						kN		kN	min ⁻¹			
600	800	150	5	12	22,3	3650	9030	614	450	560	239/600EW33MH**	239/600EKW33MH**
	870	200	6	12	22,3	5580	11900	798	340	430	230/600EW33MH**	230/600EKW33MH**
	870	272	6	12	22,3	7500	17600	1180	240	320	240/600EW33MH**	240/600EK30W33MH**
	980	300	7,5	12	22,3	9750	19300	1270	300	380	231/600EW33MH**	231/600EKW33MH**
	980	375	7,5	12	22,3	11300	24500	1600	200	280	241/600EW33MH**	241/600EK30W33MH**
	1090	388	9,5	12	22,3	14000	25900	1670	220	300	232/600EW33MH**	232/600EKW33MH**
630	850	165	6	12	22,3	4300	10300	682	400	500	239/630EW33MH**	239/630EKW33MH**
	920	212	7,5	12	22,3	6430	13700	904	320	400	230/630EW33MH**	230/630EKW33MH**
	920	290	7,5	12	22,3	8060	19700	1300	220	300	240/630EW33MH**	240/630EK30W33MH**
	1030	315	7,5	12	22,3	10800	21700	1400	280	360	231/630EW33MH**	231/630EKW33MH**
	1030	400	7,5	12	22,3	12700	27900	1800	190	260	241/630EW33MH**	241/630EK30W33MH**
	1150	412	12	12	22,3	15400	28700	1820	200	280	232/630EW33MH**	232/630EKW33MH**
670	900	170	6	12	22,3	4620	11200	736	380	480	239/670EW33MH**	239/670EKW33MH**
	980	230	7,5	12	22,3	7300	16100	1040	300	380	230/670EW33MH**	230/670EKW33MH**
	980	308	7,5	12	22,3	9100	22500	1450	200	280	240/670EW33MH**	240/670EK30W33MH**
	1090	336	7,5	12	22,3	11900	24000	1520	260	340	231/670EW33MH**	231/670EKW33MH**
	1090	412	7,5	12	22,3	15200	31200	1920	180	240	241/670EW33MH**	241/670EK30W33MH**
	1220	438	12	12	22,3	17200	32300	2000	190	260	232/670EW33MH**	232/670EKW33MH**
710	950	180	6	12	22,3	5050	12500	808	360	450	239/710EW33MH**	239/710EKW33MH**
	1030	236	7,5	12	22,3	7750	17000	1080	280	360	230/710EW33MH**	230/710EKW33MH**
	1030	315	7,5	12	22,3	9540	23600	1500	190	260	240/710EW33MH**	240/710EK30W33MH**
	1150	345	9,5	12	22,3	12700	26400	1650	240	320	231/710EW33MH**	231/710EKW33MH**
	1150	438	9,5	12	22,3	15200	34700	2170	170	220	241/710EW33MH**	241/710EK30W33MH**
	1280	450	12	12	22,3	18700	35300	2160	180	240	232/710EW33MH**	232/710EKW33MH**
750	920	170	5	12	-	4160	12900	834	190	260	248/750EW20MH**	248/750EK30W20MH**
	1000	185	6	12	22,3	5380	13500	859	340	430	239/750EW33MH**	239/750EKW33MH**
	1090	250	7,5	12	22,3	8640	19200	1200	260	340	230/750EW33MH**	230/750EKW33MH**
	1090	335	7,5	12	22,3	10700	26600	1660	180	240	240/750EW33MH**	240/750EK30W33MH**
	1220	365	9,5	12	22,3	14500	29400	1800	220	300	231/750EW33MH**	231/750EKW33MH**
	1220	475	9,5	12	22,3	17400	39200	2400	160	200	241/750EW33MH**	241/750EK30W33MH**
	1360	475	15	12	22,3	19000	37000	2220	150	190	232/750CW33MH**	232/750CKW33MH**
	1360	475	15	12	22,3	19000	37000	2220	150	190	232/750CW33F**	232/750CKW33F**
800	1060	195	6	12	22,3	5920	15200	949	300	380	239/800EW33MH**	239/800EKW33MH**
	1150	258	7,5	12	22,3	10100	21600	1260	240	320	230/800EW33MH**	230/800EKW33MH**
	1150	345	7,5	12	22,3	11400	29100	1790	170	220	240/800EW33MH**	240/800EK30W33MH**
	1280	375	9,5	12	22,3	15300	32200	1940	200	280	231/800EW33MH**	231/800EKW33MH**
	1280	475	9,5	12	22,3	18200	41900	2530	150	190	241/800EW33FH**	241/800EK30W33FH**



Abutment and fillet dimensions			Weight		Corresp. adapter sleeve	Corresp. withdrawal sleeve	Corresp. nut	Factors			
d _a	D _a	r _a	K					e	Y ₁	Y ₂	Y ₀
min	max	max									
mm			kg								
622	778	4	211	204	H39/600	-	-	0,16	4,2	6,2	4,1
628	842	5	392	380	H30/600	AH30/600X	HM30/630	0,22	3	4,6	2,8
628	842	5	551	542	-	AOH240/600X	HM31/630	0,28	2,4	3,6	2,4
636	944	6	890	861	H31/600	AH31/600X	HM31/630	0,3	2,3	3,4	2,2
636	944	6	1130	1110	-	AH241/600X	HM31/630	0,37	1,8	2,7	1,8
644	1046	8	1570	1520	H32/600	AH32/600X	HM130T	0,35	1,9	2,9	1,8
658	822	5	267	258	H39/630	-	-	0,17	4	5,9	4
666	884	6	470	455	H30/630	AH30/630	HM30/670	0,21	3,1	4,5	2,9
666	884	6	665	654	-	AOH240/630	HML130T	0,28	2,4	3,5	2,3
666	994	6	1030	1020	H31/630	AH31/630	HM31/670	0,3	2,2	3,3	2,2
666	994	6	1340	1320	-	AOH241/630	HM130T	0,37	1,8	2,7	1,8
678	1102	10	1860	1800	H32/630	AH32/630	HM136T	0,35	1,9	2,9	1,8
698	872	5	313	304	H39/670	-	-	0,17	4	5,9	4
706	944	6	580	562	H30/670	AH30/670	HM30/710	0,23	3	4,4	2,9
706	944	6	803	790	-	AOH240/670	HML138T	0,28	2,4	3,6	2,4
706	1054	6	1220	1200	H31/670	AH31/670X	HM31/710	0,28	2,4	3,6	2,3
706	1054	6	1540	1520	-	AOH241/670	HM142T	0,35	1,9	2,9	1,9
718	1172	10	2220	2160	H32/670	AH32/670	HM144T	0,35	1,9	2,9	1,8
738	922	5	361	349	H39/710	-	-	0,17	4	5,9	4
746	994	6	648	624	H30/710	AH30/710X	HM30/750	0,21	3,2	4,8	3,2
746	994	6	886	872	-	AOH240710	HML146T	0,27	2,5	3,7	2,4
754	1106	8	1390	1350	H31/710	AH31/710X	HM31/750	0,28	2,4	3,6	2,5
754	1106	8	1810	1780	-	AOH241/710	HM150T	0,35	1,9	2,8	1,9
758	1232	10	2500	2430	H32/710	AH32/710	HM31/750	0,35	1,9	2,9	1,8
768	902	4	247	243	-	-	-	0,15	4,4	6,6	4,3
778	972	5	405	391	H39/750	-	-	0,16	4,2	6,3	4
786	1054	6	770	742	H30/750	AH30/750	HM30/800	0,21	3,2	4,8	3,2
786	1054	6	1060	1040	-	AOH240/750	HML155T	0,28	2,4	3,6	2,4
794	1176	8	1670	1620	H31/750	AH31/750	HM31/800	0,28	2,4	3,6	2,4
794	1176	8	2100	2070	-	AOH241/750	HM155T	0,37	1,8	2,7	1,8
815	1295	12	3070	2990	H32/750	AH32/750	HM31/800	0,34	2	2,9	1,9
815	1295	12	3020	2940	H32/750	AH32/750	HM31/800	0,34	2	2,9	1,9
828	1032	5	474	458	H39/800	-	-	0,16	4,2	6,3	4
836	1114	6	884	842	H30/800	AH30/800	HM30/850	0,2	3,4	5,1	3,4
836	1114	6	1190	1170	-	AOH240/800	HML165T	0,27	2,5	3,7	2,5
844	1236	8	1800	1740	H31/800	AH31/800	HM31/850	0,28	2,4	3,6	2,4
844	1236	8	2220	2190	-	AOH241/800	HM165T	0,35	1,9	2,9	1,8



Main dimensions						Basic load rating		Fatigue load limit	Limiting speed for lubrication with		Bearing designation	
d	D	B	r _s	a	b	dynamic C _r	static C _{0r}	P _u	grease	oil	with cylindrical bore	with tapered bore
mm						kN		kN	min ⁻¹			
850	1120	200	6	12	22,3	6380	16400	1020	280	360	239/850EW33MH**	239/850EKW33MH**
	1220	272	7,5	12	22,3	10300	23500	1420	220	300	230/850EW33MH**	230/850EKW33MH**
	1220	365	7,5	12	22,3	12600	31800	1920	160	200	240/850EW33MH**	240/850EK30W33MH**
	1360	400	12	12	22,3	17200	36600	2170	190	260	231/850EW33MH**	231/850EKW33MH**
	1360	500	12	12	22,3	20200	46300	2740	140	180	241/850EW33MH**	241/850EK30W33MH**
900	1180	206	6	12	22,3	6900	18300	1100	260	340	239/900EW33MH**	239/900EKW33MH**
	1280	280	7,5	12	22,3	11200	26100	1550	200	280	230/900EW33MH**	230/900EKW33MH**
	1280	375	7,5	12	22,3	13500	34400	2050	150	190	240/900EW33MH**	240/900EK30W33MH**
	1420	515	12	12	22,3	21200	51000	2980	130	170	241/900EW33FH**	241/900EK30W33FH**
950	1250	224	7,5	12	22,3	7830	21200	1260	240	320	239/950EW33MH**	239/950EKW33MH**
	1360	300	7,5	12	22,3	12500	29200	1710	190	260	230/950EW33MH**	230/950EKW33MH**
	1360	412	7,5	12	22,3	15500	41300	2410	130	170	240/950EW33FH**	240/950EK30W33FH**
	1500	545	12	12	22,3	23600	57100	3280	120	160	241/950EW33FH**	241/950EK30W33FH**
1000	1320	315	7,5	12	22,3	11200	32200	1880	130	170	249/1000EW33MH**	249/1000EK30W33MH**
	1420	308	7,5	12	22,3	13500	32400	1870	180	240	230/1000EW33FH**	230/1000EKW33FH**
	1420	412	7,5	12	22,3	16200	42900	2470	120	160	240/1000EW33FH**	240/1000EK30W33FH**
	1580	580	12	12	22,3	26300	64400	3640	110	150	241/1000EW33FH**	241/1000EK30W33FH**
1060	1500	325	9,5	12	22,3	14900	36100	2050	170	220	230/1060EW33FH**	230/1060EKW33FH**
	1500	438	9,5	12	22,3	18200	48200	2730	110	150	240/1060EW33FH**	240/1060EK30W33FH**
1120	1580	462	9,5	12	22,3	19600	53000	2960	100	130	240/1120EW33FH**	240/1120EK30W33FH**



Abutment and fillet dimensions			Weight		Corresp. adapter sleeve	Corresp. withdrawal sleeve	Corresp. nut	Factors			
d _a	D _a	r _a	~ K					e	Y ₁	Y ₂	Y ₀
min	max	max									
mm			kg								
878	1092	5	539	522	H39/850	-	-	0,16	4,2	6,3	4
886	1184	6	1030	1000	H30/850	AH30/850	HM30/900	0,21	3,1	4,5	3
886	1184	6	1410	1390	-	AOH240/850	HML175T	0,27	2,5	3,7	2,5
904	1306	10	2220	2150	H31/850	AH31/850	HM31/900	0,28	2,4	3,6	2,5
904	1306	10	2580	2530	-	AOH241/850	HM31/900	0,35	1,9	2,9	1,9
928	1152	5	603	583	H39/900	-	-	0,15	4,5	6,7	4,5
936	1244	6	1140	1100	H30/900	AH30/900	HM30/950	0,2	3,4	5	3,2
936	1244	6	1570	1550	-	AOH240/900	HM31/950	0,26	2,6	3,9	2,5
954	1366	10	3190	3150	-	AOH241/900	HM31/950	0,35	1,9	2,9	1,8
986	1214	6	746	721	H39/950	-	-	0,15	4,4	6,6	4,3
986	1324	6	1400	1350	H30/950	AH30/950	HM30/1000	0,2	3,4	5	3,2
986	1324	6	1970	1940	-	AOH240/950	HM31/1000	0,27	2,5	3,7	2,5
1004	1446	10	3370	3330	-	AOH241/950	HM31/1000	0,35	1,9	2,9	1,8
1036	1284	6	1180	1160	-	-	-	0,2	3,3	4,9	3,2
1036	1384	6	1540	1490	H30/1000	AH30/1000	HM30/1060	0,19	3,6	5,3	3,6
1036	1384	6	2120	2090	-	-	-	0,26	2,6	3,9	2,5
1054	1526	10	4100	4060	-	-	-	0,35	1,9	2,9	1,8
1104	1456	8	1800	1750	H30/1060	AH30/1060	HM30/1120	0,19	3,6	5,3	3,6
1104	1456	8	2490	2450	-	-	-	0,26	2,6	3,9	2,5
1164	1536	8	2900	2860	-	-	-	0,26	2,6	3,9	2,5

12.6 TAPERED ROLLER BEARINGS

Single row tapered roller bearings are detachable. The inner ring with tapered rolls and cage forms one assembly unit: the outer ring a second. The structure with a large number of tapered rolls in a single row allows these bearings to achieve a high radial and axial load capacity. Raceway contact surface areas lie on straight lines, which intersect in the bearing axis. Modifying the contact surfaces of raceways or tapered rolls, resp., limits the formation of edge stress. Axial loading may only occur in one direction and its magnitude depends on the size of the contact angle, which is characterized by the coefficient e . Bearings with a larger contact angle (type 313 and 323B) and thus with a larger coefficient e are more suitable for greater axial forces. A loading with single row tapered roller bearings usually comprises a pair of bearings due to capturing of axial loads in both directions. Bearings are structurally designed to higher utility parameters with the designation A. Bearings are manufactured both in metric and imperial dimensions.

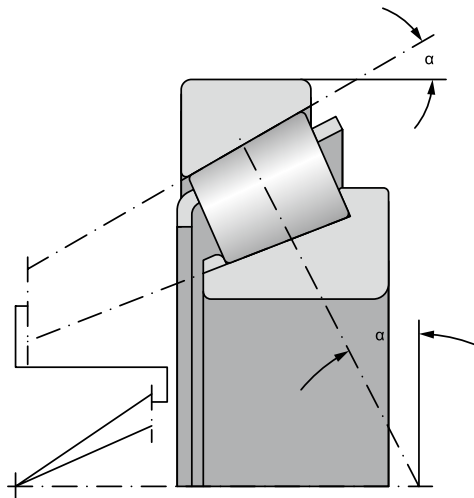


Fig. 12.6.1

Main dimensions

The main dimensions of metric single row tapered roller bearings conform to standard ISO 355. Main dimensions of single row tapered roller bearings in inches meet AFBMA Standard 19 (USA) from 1974.

Labelling

Labelling of standard bearings is specified in the tables of the publication. Divergence from the standard design is marked by the additional characters provided in chapter 7.6 of the catalogue. The current labelling, defined prior to 1977, as well as the new labelling according to ISO 355 is left as a guide in the tables of the publication for customers and manufacturers.

The original labelling is derived from the system described in chapter 7.6 of the catalogue.