



DUNLOP

CLEVISES JOINTS



English



Español



Italiano



Deutsch



Français



Nederlands



Polskie

G series

Serie G • Serie G • G-Serie

Série G • G-serie • seria G

104

ES series

Serie ES • Serie ES • ES-Serie

Série ES • ES-serie • seria ES

108

NB series

Serie NB • Serie NB • NB-Serie

Série NB • NB-serie • seria NB

110

DE series

Serie DE • Serie DE • DE-Serie

Série DE • DE-serie • seria DE

111

SL series

Serie SL • Serie SL • SL-Serie

Série SL • SL-serie • seria SL

112

KL series

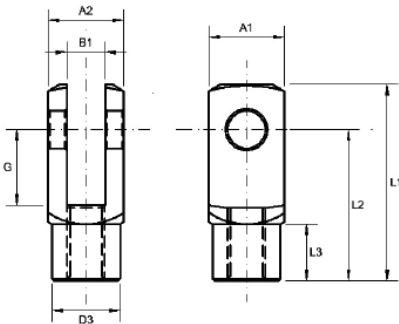
Serie KL • Serie KL • KL-Serie

Série KL • KL-serie • seria KL

113



CLEVIS JOINTS



G-SERIES: GM - GI - GM-SS-ASSY

Description:

G-Series is our standard range of metric and imperial clevises also known as 'yoke' and 'fork' ends. In addition to our catalogue range, we have produced over 2,000 special clevises to suit individual customer applications, therefore please enquire for any item not shown. Imperial sizes are easily identified by a groove on the tail. Stainless steel clevis assemblies are also available.

Metric sizes up to GML16 are used with ESM folding spring pins on page 97 or with NBM clevis pins on page 98. GM18 - GM30 are used with DEM clevis pins on page 99, size GM20 may also be used with ESM20 on page 97. Imperial sizes up to GIL625 are used with ESI folding spring pins on page 97 or with NBI clevis pins on page 98. GI750 - GI1000 are used with DEI clevis pins on page 99.

Material Specifications:

Clevis: Steel 230M07PB zinc plated and clear trivalent passivate and stainless steel 303L.

Features

- Metric & imperial thread & bore sizes
- Standard & long series
- Course & fine threads
- No maintenance

Possible Applications

- Light to heavy industrial/mechanical applications
- Construction equipment
- Agricultural equipment
- Industrial equipment

Temperature Range

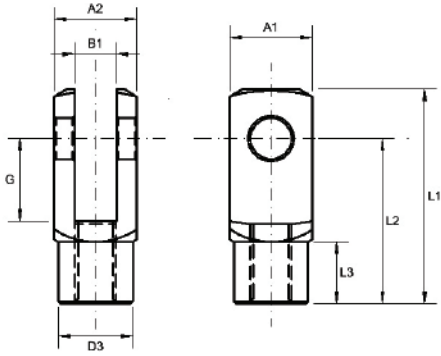
-40°C to +170°C

Specification

ELV & RoHS compliant



GM-SERIES: STEEL CLEVIS JOINTS (METRIC)



Material: Steel 230M07Pb, Zinc Plated and Clear Trivalent Passivate

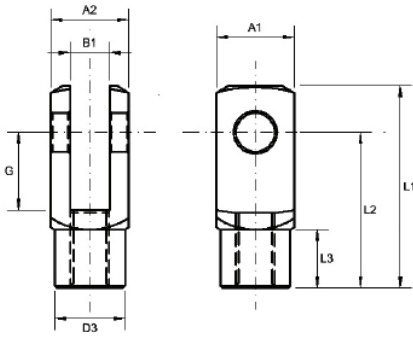
Specification: ELV and RoHS Compliant



Part No. Right Hand	Part No. Left Hand	Bore Size*	Thread	G	A1	A2	B1	D3	L1	L2	L3
GM4	GM4LH	4	M4X0.70	8	8	8	4	8	21	16	6.0
GML4	GML4LH	4	M4X0.70	16	8	8	4	8	29	24	6.0
GM5	GM5LH	5	M5X0.80	10	10	10	5	9	26	20	7.5
GML5	GML5LH	5	M5X0.80	20	10	10	5	9	36	30	7.5
GM6	GM6LH	6	M6X1.00	12	12	12	6	10	31	24	9.0
GML6	GML6LH	6	M6X1.00	24	12	12	6	10	43	36	9.0
GM8	GM8LH	8	M8X1.25	16	16	16	8	14	42	32	12.0
GML8	GML8LH	8	M8X1.25	32	16	16	8	14	58	48	12.0
GM8C	GM8CLH	8	M8X1.00	16	16	16	8	14	42	32	12.0
GML8C	GML8CLH	8	M8X1.00	32	16	16	8	14	58	48	12.0
GM10	GM10LH	10	M10X1.50	20	20	20	10	18	52	40	15.0
GML10	GML10LH	10	M10X1.50	40	20	20	10	18	72	60	15.0
GM10C	GM10CLH	10	M10X1.25	20	20	20	10	18	52	40	15.0
GML10C	GML10CLH	10	M10X1.25	40	20	20	10	18	72	60	15.0
GM12	GM12LH	12	M12X1.75	24	24	24	12	20	62	48	18.0
GML12	GML12LH	12	M12X1.75	48	24	24	12	20	86	72	18.0
GM12C	GM12CLH	12	M12X1.25	24	24	24	12	20	62	48	18.0
GML12C	GML12CLH	12	M12X1.25	48	24	24	12	20	86	72	18.0
GM14	GM14LH	14	M14X2.00	28	27	27	14	24	72	56	22.5
GML14	GML14LH	14	M14X2.00	56	27	27	14	24	101	85	22.5
GM14C	GM14CLH	14	M14X1.50	28	27	27	14	24	72	56	22.5
GML14C	GML14CLH	14	M14X1.50	56	27	27	14	24	101	85	22.5
GM16	GM16LH	16	M16X2.00	32	32	32	16	26	83	64	24.0
GM16C	GM16CLH	16	M16X1.50	32	32	32	16	26	83	64	24.0
GML16	GML16LH	16	M16X2.00	64	32	32	16	26	115	96	24.0
GML16C	GML16CLH	16	M16X1.50	64	32	32	16	26	115	96	24.0
GM18	GM18LH	18	M18X2.50	36	36	36	18	30	94	72	27.0
GM18C	GM18CLH	18	M18X1.50	36	36	36	18	30	94	72	27.0
GM20	GM20LH	20	M20X2.50	40	40	40	20	34	105	80	30.0
GM20C	GM20CLH	20	M20X1.50	40	40	40	20	34	105	80	30.0
GM25	GM25LH	25	M24X3.00	50	50	50	25	42	132	100	36.0
GM25C	GM25CLH	25	M24X2.00	50	50	50	25	42	132	100	36.0
GM28	GM28LH	28	M27X3.00	56	55	55	28	48	148	112	40.0
GM28C	GM28CLH	28	M27X2.00	56	55	55	28	48	148	112	40.0
GM30	GM30LH	30	M30X3.50	60	60	60	30	52	160	120	42.0
GM30C	GM30CLH	30	M30X2.00	60	60	60	30	52	160	120	42.0

*Cross hole tolerance: +0.06 -0.00 mm

GI SERIES: STEEL CLEVIS JOINTS (IMPERIAL)



Material: Steel 230M07Pb, Zinc Plated and Clear Trivalent Passivate

Specification: ELV and RoHS Compliant



Part No. Right Hand	Part No. Left Hand	Bore Size*	Thread	G	A1	A2	B1	D3	L1	L2	L3
GI187	GI187 LH	3/16	10-32 UNF	0.394	0.375	0.375	0.1875	0.354	1.024	0.788	0.295
GIL187	GIL187 LH	3/16	10-32 UNF	0.787	0.375	0.375	0.1875	0.354	1.417	1.181	0.295
GI250	GI250 LH	1/4	1/4 UNF	0.472	0.500	0.500	0.2500	0.394	1.220	0.944	0.354
GIL250	GIL250 LH	1/4	1/4 UNF	0.945	0.500	0.500	0.2500	0.394	1.693	1.417	0.354
GI312	GI312 LH	5/16	5/16 UNF	0.630	0.630	0.630	0.3125	0.551	1.654	1.260	0.472
GIL312	GIL312 LH	5/16	5/16 UNF	1.260	0.630	0.630	0.3125	0.551	2.283	1.890	0.472
GI375	GI375 LH	3/8	3/8 UNF	0.787	0.750	0.750	0.3750	0.708	2.047	1.574	0.591
GIL375	GIL375 LH	3/8	3/8 UNF	1.575	0.750	0.750	0.3750	0.708	2.834	2.362	0.591
GI500	GI500 LH	1/2	1/2 UNF	1.102	1.000	1.000	0.5000	0.945	2.834	2.204	0.886
GIL500	GIL500 LH	1/2	1/2 UNF	2.205	1.000	1.000	0.5000	0.945	3.976	3.346	0.886
GI625	GI625 LH	5/8	5/8 UNF	1.260	1.250	1.250	0.6250	1.024	3.268	2.520	0.945
GIL625	GIL625 LH	5/8	5/8 UNF	2.520	1.250	1.250	0.6250	1.024	4.528	3.780	0.945
GI750	GI750 LH	3/4	3/4 UNF	1.575	1.575	1.575	0.7500	1.339	4.134	3.150	1.181
GI1000	GI1000 LH	1	1 UNF	1.969	1.970	1.970	1.0000	1.654	5.197	3.938	1.417

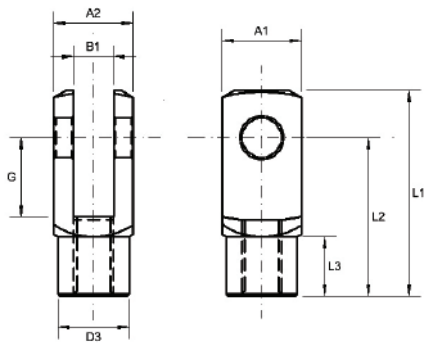
*Cross hole tolerance: +0.06 -0.00 mm.

Stainless steel materials such as 304, 314 and 316 are also available to order, please enquire for further information.



*Cross hole tolerance: +0.06 -0.00 mm. Stainless steel materials such as 304, 314 and 316 are also available to order, please enquire for further information.

GM-SS-ASSY SERIES: STAINLESS STEEL CLEVIS JOINT ASSEMBLIES (METRIC)



- Clevis:** Stainless Steel 303
- Clevis Pin:** Stainless Steel 303
- Washer:** Stainless Steel 303
- Split Pin:** Stainless Steel 303
- Specification:** ELV and RoHS Compliant



Part No. Right Hand	Part No. Left Hand	Bore Size*	Thread	G	A1	A2	B1	D3	L1	L2	L3
GM4SS-ASSY	GM4SSLH-ASSY	4	M4X0.70	8	8	8	4	8	21	16	6.0
GML4SS-ASSY	GML4SSLH-ASSY	4	M4X0.70	16	8	8	4	8	29	24	6.0
GM5SS-ASSY	GM5SSLH-ASSY	5	M5X0.80	10	10	10	5	9	26	20	7.5
GML5SS-ASSY	GML5SSLH-ASSY	5	M5X0.80	20	10	10	5	9	36	30	7.5
GM6SS-ASSY	GM6SSLH-ASSY	6	M6X1.00	12	12	12	6	10	31	24	9.0
GML6SS-ASSY	GML6SSLH-ASSY	6	M6X1.00	24	12	12	6	10	43	36	9.0
GM8SS-ASSY	GM8SSLH-ASSY	8	M8X1.25	16	16	16	8	14	42	32	12.0
GML8SS-ASSY	GML8SSLH-ASSY	8	M8X1.25	32	16	16	8	14	58	48	12.0
GM10SS-ASSY	GM10SSLH-ASSY	10	M10X1.50	20	20	20	10	18	57	40	15.0
GML10SS-ASSY	GML10SSLH-ASSY	10	M10X1.50	40	20	20	10	18	72	60	15.0
GM12SS-ASSY	GM12SSLH-ASSY	12	M12X1.75	24	24	24	12	20	62	48	18.0
GML12SS-ASSY	GML12SSLH-ASSY	12	M12X1.75	48	24	24	12	20	86	72	18.0
GM14SS-ASSY	GM14SSLH-ASSY	14	M14X2.00	28	27	27	14	24	72	56	22.5
GML14SS-ASSY	GML14SSLH-ASSY	14	M14X2.00	56	27	27	14	24	101	85	22.5
GM16SS-ASSY	GM16SSLH-ASSY	16	M16X2.00	32	32	32	16	26	83	64	24.0
GML16SS-ASSY	GML16SSLH-ASSY	16	M16X2.00	64	32	32	16	26	115	96	24.0
GM18SS-ASSY	GM18SSLH-ASSY	18	M18X2.50	36	36	36	18	30	94	72	27.0
GM20SS-ASSY	GM20SSLH-ASSY	20	M20X2.50	40	40	40	20	34	105	80	30.0
GM25SS-ASSY	GM25SSLH-ASSY	25	M24X3.00	50	50	50	25	42	132	100	36.0
GM28SS-ASSY	GM28SSLH-ASSY	28	M27X3.00	56	55	55	28	48	148	112	40.0
GM30SS-ASSY	GM30SSLH-ASSY	30	M30X3.50	60	60	60	30	52	160	120	42.0



CLEVIS JOINTS



ES-SERIES: ESM - ESI

Description:

ES-Series is our standard range of metric and imperial folding spring pins for use with GM and GI Clevis joints. They are easily pre-assembled or removed by hand without the need for any tools. ESM folding spring pins for use with GM-Series metric clevis joints. ESI folding spring pins for use with GI-Series imperial clevis joints.

Material Specifications:

Pin: Steel 230M07PB zinc plated and clear trivalent passivate.
 Spring: CS70 carbon steel, hardened and tempered and zinc plated and clear trivalent passivate.

Features

Metric & imperial sizes
 Standard & long series
 No maintenance

Possible Applications

Light - heavy industrial/
 mechanical applications
 Construction equipment
 Agricultural equipment
 Industrial equipment

Temperature Range

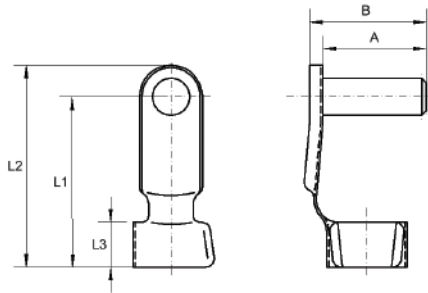
-40°C to +170°C

Specification

ELV & RoHS compliant



ESM-SERIES: FOLDING SPRING PINS (METRIC)



Pin: Steel 230M07Pb, Zinc Plated and Clear Trivalent Passivate

Spring: Spring Steel, Hardened, Zinc Plated and Clear Trivalent Passivate

Specification: ELV and RoHS Compliant



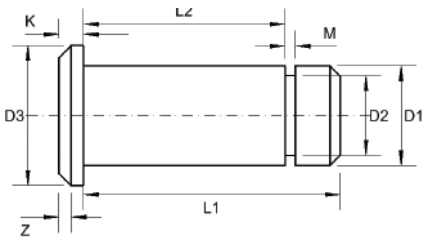
Part No.	Pin Size	A	B	L1	L2	L3
ESM4	4	9.5	11.0	15.0	18.5	4.5
ESM5	5	12.0	13.5	19.0	23.0	5.5
ESML5	5	12.0	13.5	29.0	33.0	5.5
ESM6	6	14.0	16.0	23.0	28.0	6.5
ESML6	6	14.0	16.0	35.0	40.0	6.5
ESM8	8	19.0	21.5	30.0	36.5	8.0
ESML8	8	19.0	21.5	46.0	52.0	8.0
ESM10	10	23.0	26.0	38.0	45.0	10.0
ESML10	10	23.0	26.0	58.0	65.0	10.0
ESM12	12	28.0	31.0	45.0	53.0	12.0
ESML12	12	28.0	31.0	69.0	78.0	12.0
ESM14	14	29.4	34.0	52.0	62.0	14.0
ESML14	14	29.4	34.0	82.0	91.0	14.0
ESM16	16	36.0	39.0	62.0	73.5	16.0
ESML16	16	36.0	39.0	92.0	103.0	16.0
ESM20	20	44.0	49.0	71.0	88.0	16.0

ESI-SERIES: FOLDING SPRING PINS (IMPERIAL)

Part No.	Pin Size	A	B	L1	L2	L3
ESI187	3/16	0.430	0.490	0.750	0.900	0.220
ESIL187	3/16	0.430	0.490	1.140	1.300	0.220
ESI250	1/4	0.560	0.640	0.900	1.100	0.250
ESIL250	1/4	0.560	0.640	1.380	1.570	0.250
ESI312	5/16	0.700	0.790	1.180	1.430	0.310
ESIL312	5/16	0.700	0.790	1.810	2.050	0.310
ESI375	3/8	0.830	0.950	1.500	1.770	0.390
ESIL375	3/8	0.830	0.950	2.280	2.560	0.390
ESI500	1/2	1.090	1.210	2.050	2.440	0.550
ESIL500	1/2	1.090	1.210	3.230	3.580	0.550
ESI625	5/8	1.350	1.470	2.440	2.890	0.630
ESIL625	5/8	1.350	1.470	3.620	4.050	0.630



CLEVIS JOINTS



NB-SERIES: NBM - NBI

Description:

NB-Series is our standard range of metric and imperial clevis pins for use with GM and GI clevis joints. NBM clevis pins for use with GM series metric clevis joints. NBI clevis pins for use with GI series imperial clevis joints.

Material Specifications:

Pin: Steel 230M07PB zinc plated and clear trivalent passivate.

Features

Metric & imperial sizes
Standard & long series
No maintenance

Possible Applications

Light - heavy industrial/
mechanical applications
Construction equipment
Agricultural equipment
Industrial equipment

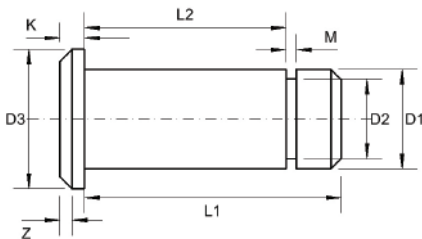
Temperature Range

-40°C to +170°C

Specification

ELV & RoHS compliant

NBM-SERIES: STEEL CLEVIS PINS (METRIC)



Pin: Steel 230M07Pb, Zinc Plated and Clear Trivalent Passivate

Specification: ELV and RoHS Compliant



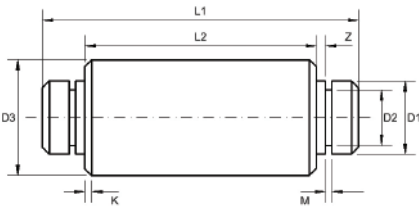
Part No.	Pin Size D1	D2	D3	K	M	Z	L1	L2
NBM4	4	3.2	6	1.5	0.74	0.75	10.35	8.25
NBM5	5	4.1	8	1.0	0.84	0.50	12.85	10.25
NBM6	6	5.1	9	1.5	0.84	0.75	15.35	12.25
NBM8	8	6.1	12	2.0	1.04	1.00	19.85	16.25
NBM10	10	8.2	14	2.5	1.15	1.25	24.85	20.25
NBM12	12	9.2	16	3.0	1.25	1.25	29.35	24.25
NBM14	14	10.2	18	3.0	1.35	1.25	32.85	27.25
NBM16	16	12.2	20	3.5	1.45	1.50	38.35	32.25

NBI-SERIES: STEEL CLEVIS PINS (IMPERIAL)

Part No.	Pin Size D1	D2	D3	K	M	Z	L1	L2
NBI187	3/16	0.140	0.250	0.050	0.028	0.030	0.480	0.385
NBI250	1/4	0.193	0.343	0.062	0.034	0.030	0.625	0.510
NBI312	5/16	0.240	0.437	0.078	0.041	0.040	0.770	0.635
NBI375	3/8	0.301	0.500	0.090	0.045	0.050	0.932	0.760
NBI500	1/2	0.388	0.625	0.110	0.054	0.060	1.223	1.010
NBI625	5/8	0.480	0.781	0.120	0.057	0.060	1.491	1.260



CLEVIS JOINTS



DE-SERIES: DEM - DEI

Description:

DE-Series is our standard range of metric and imperial clevis pins for use with GM and GI Clevis joints. DEM clevis pins are designed for use with GM20 - GM30 clevis Joints. DEI clevis pins are designed for use with GI750 - GI1000 clevis joints.

Material Specifications:

Pin: Steel 230M07PB zinc plated and clear trivalent passivate.

Features

Metric & imperial sizes
Standard & long series
No maintenance

Possible Applications

Light to heavy industrial/
mechanical applications
Construction equipment
Agricultural equipment
Industrial equipment

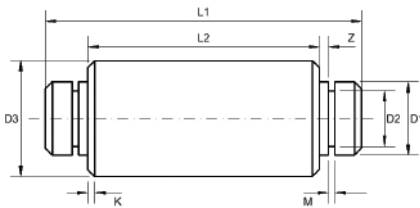
Temperature Range

-40°C to +170°C

Specification

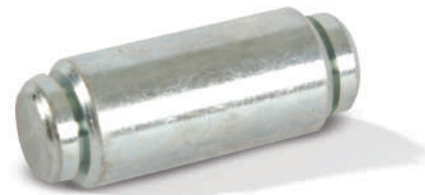
ELV & RoHS compliant

DEM-SERIES: STEEL CLEVIS PINS (METRIC)



Pin: Steel 230M07Pb, Zinc Plated and Clear Trivalent Passivate

Specification: ELV and RoHS Compliant



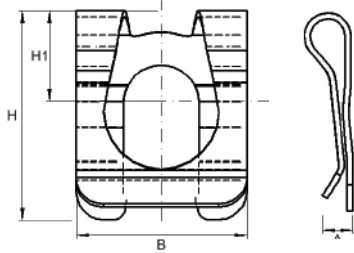
Part No.	D1	D2	Pin Size D3	K	M	Z	L1	L2	Other Items Required
DEM20	15.87	12.2	20	1.5	1.35	NO SHOULDER	52.22	40.50	2 X SLM16 (ONLY)
DEM25	15.87	12.2	25	1.5	1.35	2.08	66.38	50.50	2 X SLM16 + 2 X M7105
DEM30	15.87	12.2	30	1.5	1.35	3.75	79.72	60.50	2 X SLM16 + 2 X M7107

DEI-SERIES: STEEL CLEVIS PINS (IMPERIAL)

Part No.	D1	D2	Pin Size D3	K	M	Z	L1	L2	Other Items Required
DEI750	0.625	0.480	0.75	0.04	0.053	NO SHOULDER	2.066	1.594	2 X SLM16 (ONLY)
DEI1000	0.625	0.480	1.00	0.06	0.053	0.082	2.624	1.988	2 X SLM16 + 2 X M7105



CLEVIS JOINTS



SL SERIES: SLM - SLI

Description:

SL-Series is our standard range of metric and imperial safety clips for use with GM and GI Clevis joints. They are easily pre-assembled or removed by hand without the need for any tools. SLM safety clips are designed for use with NBM clevis pins. SLI safety clips are designed for use with NBI clevis pins. SLM16 is also compatible with DEM20 - DEM30. SLM16 is also compatible with DEI750 - DEI1000.

Material Specifications:

Clip: CS70 carbon steel hardened and tempered and zinc plated and clear trivalent passivate.

Features

Metric & imperial sizes
Safety lip prevents accidental removal
Assembly rattle is eliminated by the fastener holding the clevis pin under tension

Possible Applications

Light to heavy industrial/mechanical
Construction equipment
Agricultural equipment
Industrial equipment

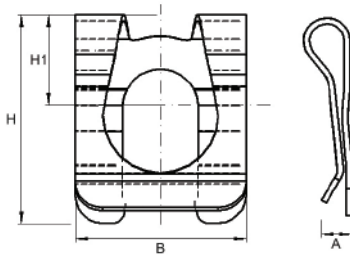
Temperature Range

-40°C to +170°C

Specification

ELV & RoHS compliant

SLM-SERIES: SPRING STEEL SAFETY CLIP (METRIC)



Safety Clip: Spring Steel, Zinc Plated and Clear Trivalent Passivate, Hardened and Annealed to 1450 to 1600 N/mm² Tensile Strength

Specification: ELV and RoHS Compliant



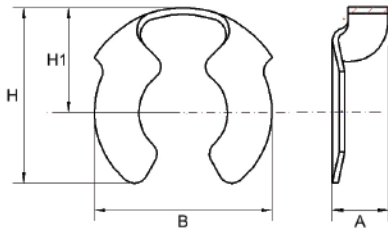
Part No.	Pin Size	B	H	H1	A	Thickness	Max Axial Thrust (n)
SLM4	4	7.0	8.75	4.0	2.2	0.30	1,000
SLM5	5	9.0	11.00	5.0	2.3	0.35	1,300
SLM6	6	11.0	14.25	6.0	3.2	0.40	1,500
SLM8	8	14.0	17.50	8.0	3.7	0.45	3,600
SLM10	10	18.0	21.75	10.3	4.6	0.50	6,400
SLM12	12	22.0	26.00	12.0	5.5	0.50	9,600
SLM14	14	25.1	30.10	13.5	5.8	0.60	11,320
SLM16	16	28.0	34.50	16.0	6.8	0.60	13,500

SLI-SERIES: SPRING STEEL SAFETY CLIP (IMPERIAL)

Part No.	Pin Size	B	H	H1	A	Thickness	Max Axial Thrust (n)
SLI187	3/16	0.355	0.429	0.195	0.084	0.0135	1,300
SLI250	1/4	0.437	0.562	0.245	0.130	0.0150	1,500
SLI312	5/16	0.551	0.689	0.315	0.146	0.0170	3,600
SLI375	3/8	0.710	0.844	0.385	0.211	0.0190	6,400
SLI500	1/2	1.000	1.200	0.520	0.235	0.0230	9,600
SLI625	5/8	1.102	1.358	0.630	0.237	0.0230	13,500



CLEVIS JOINTS



KL-SERIES: KLM

Description:

KL-Series is our range of metric safety clips for use with GM clevis joints, they are easily pre-assembled or removed by hand without the need for any tools, KLM retaining clips are designed as an alternative option to SLM safety clips. KLM safety clips are designed for use with NBM clevis pins.

Material Specifications:

Clip: CS70 carbon steel hardened and tempered and zinc plated and clear trivalent passivate.

Features

Metric sizes
Dished design ensures clip is under constant tension to minimise rattle

Possible Applications

Light to heavy industrial/mechanical
Agricultural equipment
Industrial equipment
Construction equipment

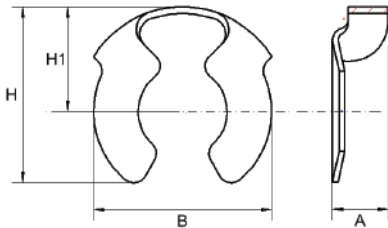
Temperature Range

-40°C to +170°C

Specification

ELV & RoHS compliant

KLM-SERIES: SPRING STEEL SAFETY CLIP (METRIC)



Safety Clip:

Spring Steel, Zinc Plated and Clear Trivalent Passivate, Hardened and Annealed to 1450 to 1600 N/mm² Tensile Strength

Specification:

ELV and RoHS Compliant

Note:

Dimensions may vary slightly in line with DIN standards.



Part No.	Pin Size	B	H	H1	A	Thickness	Max Axial Thrust (n)
KLM4	4	6.8	7.0	4.3	2.6	0.40	1,500
KLM5	5	7.7	8.4	5.2	2.8	0.50	3,000
KLM6	6	10.6	11.7	6.8	3.5	0.50	4,850
KLM8	8	11.5	11.8	7.4	4.0	0.50	5,500
KLM10	10	15.5	15.9	9.5	5.0	0.60	9,500
KLM12	12	17.2	18.5	11.5	6.0	0.60	10,700
KLM14	14	19.7	20.0	11.9	6.7	0.70	12,700
KLM16	16	23.2	24.5	14.6	7.0	0.80	14,000
KLM24	24	34.0	34.0	18.5	9.0	1.00	15,000