







	English
	Español
	Italiano
	Deutsch
	Français
	Nederlands
	Polskie

POS-NYLON series 18

Serie POS-NYLON • Serie POS-NYLON • POS-NYLON-Serie
Série POS-NYLON • POS-NYLON-serie • seria POS-NYLON

POS-PU series 22

Serie POS-PU • Serie POS-PU • POS-PU-Serie
Série POS-PU • POS-PU-serie • Seria POS-PU

RM series 25

Serie RM • Serie RM • RM-Serie
Série RM • RM-serie • Seria RM

POS-BRONZE series 27

Serie POS-BRONZE • Serie POS-BRONZE • POS-BRONZE-Serie
Série POS-BRONZE • POS-BRONZE-Serie • Seria POS-BRONZE

POS-PTFE series 30

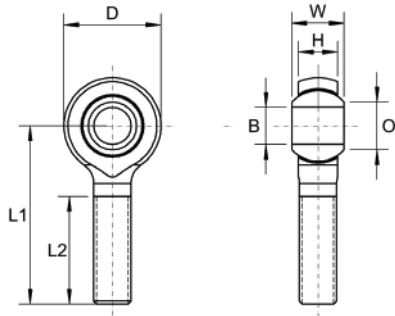
Serie POS-PTFE • Serie POS-PTFE • POS-PTFE-Serie
Série POS-PTFE • POS-PTFE-Serie • Seria POS-PTFE

MX series 34

Serie MX • Serie MX • MX-Serie
Série MX • MX-serie • Seria MX



MALE ROD ENDS



POS-NYLON SERIES

Description

POS-Nylon Series is our 3-piece standard range of self lubricating general purpose male rod ends suitable for light to medium heavy industrial/mechanical load applications requiring low friction and good wear resistance, available in both metric and imperial bore and thread sizes. They have excellent moisture resistance and require no maintenance and have a wide operating temperature range.

Material Specifications

Housing: Steel 230M07PB. and forged 080M46, zinc plated and clear trivalent plastic and stainless steel 303L & 304 forged. Race: GR-nylon LV-3H. Ball: Bearing steel 100Cr6, hardened and electroless nickel plated and stainless steel 440C and *SAE660. Stud: Steel 230M07PB zinc plated and clear trivalent passivate and stainless steel 303L.

Features

- Metric & imperial thread & bore sizes
- Low friction
- Self-lubricating
- Good wear resistance
- Excellent moisture resistance
- Studded option

Possible Applications

- Light to medium/heavy industrial/mechanical applications
- Construction equipment
- Agricultural equipment
- Recreational vehicles
- Precision equipment
- No maintenance
- Linear movement

Temperature Range

-30°C to +170°C

Specification

ELV & RoHS compliant

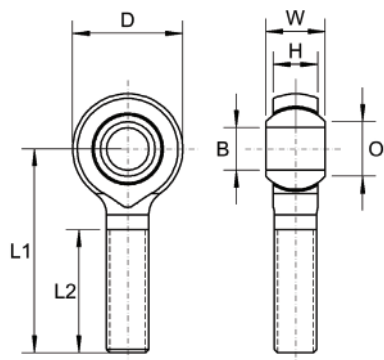
Interchange table

Dunlop	Rose	Tuthill	Alinabal	SKF	Asahi	IKO
POS-Nylon (metric)	MMP	MJ-M	MPM-M	SAKB-M	JAM EC	POS-EC
POSB-Nylon (imperial)	RMP	MJ	PM-	-	-	POSB-EC

Note: Manufacturers part numbers are used for descriptive purposes only and may not be direct equivalent products.



POS-NYLON SERIES: MAINTENACE FREE WITH MALE THREAD (METRIC)



Housing: Steel 230M07Pb (Sizes M03 – M12)
 Forged 080M46 (Sizes M14 – M25)
 Zinc Plated and Clear Trivalent Passivate

Race: GR-Nylon, LV-3H

Ball: Bearing Steel 100Cr6, Hardened and Electro-less Nickel Plated

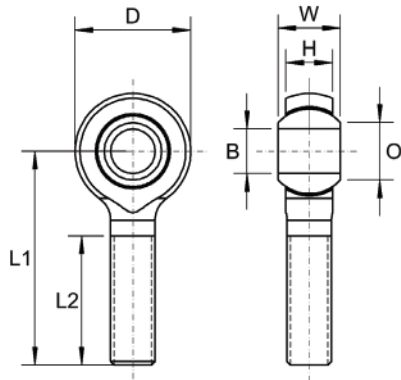
Specification: ELV and RoHS Compliant



Part No. Right Hand	Part No. Left Hand	Bore Size	Thread	W	H	D	L1	L2	O	Static Load Rating (Newtons) Radial
POS3	POS3L	3	M3X0.50	6	4.50	12	27	15	5.20	3,040
POS4-3	POS4L-3	3	M4X0.70	7	5.00	14	30	18	6.30	4,060
POS4	POS4L	4	M4X0.70	7	5.00	14	30	18	6.30	4,060
POS5-4	POS5L-4	4	M5X0.80	8	6.00	16	33	20	7.50	5,340
POS5	POS5L	5	M5X0.80	8	6.00	16	33	20	7.50	5,340
POS6-5	POS6L-5	5	M6X1.00	9	6.75	18	36	22	9.30	7,720
POS6	POS6L	6	M6X1.00	9	6.75	18	36	22	9.30	7,720
POS8-6	POS8L-6	6	M8X1.25	12	9.00	22	42	25	10.40	12,775
POS8C-6	POS8LC-6	6	M8X1.00	12	9.00	22	42	25	10.40	12,775
POS8	POS8L	8	M8X1.25	12	9.00	22	42	25	10.40	12,775
POS8C	POS8LC	8	M8X1.00	12	9.00	22	42	25	10.40	12,775
POS10-8	POS10L-8	8	M10X1.50	14	10.50	26	48	29	12.90	16,960
POS10C-8	POS10LC-8	8	M10X1.25	14	10.50	26	48	29	12.90	16,960
POS10	POS10L	10	M10X1.50	14	10.50	26	48	29	12.90	16,960
POS10C	POS10LC	10	M10X1.25	14	10.50	26	48	29	12.90	16,960
POS12-10	POS12L-10	10	M12X1.75	16	12.00	30	54	33	15.40	22,900
POS12C-10	POS12LC-10	10	M12X1.25	16	12.00	30	54	33	15.40	22,900
POS12	POS12L	12	M12X1.75	16	12.00	30	54	33	15.40	22,900
POS12C	POS12LC	12	M12X1.25	16	12.00	30	54	33	15.40	22,900
POS14-12	POS14L-12	12	M14X2.00	19	13.50	34	60	36	16.80	28,950
POS14C-12	POS14LC-12	12	M14X1.50	19	13.50	34	60	36	16.80	28,950
POS14	POS14L	14	M14X2.00	19	13.50	34	60	36	16.80	28,950
POS14C	POS14LC	14	M14X1.50	19	13.50	34	60	36	16.80	28,950
POS16-14	POS16L-14	14	M16X2.00	21	15.00	38	66	40	19.30	37,130
POS16C-14	POS16LC-14	14	M16X1.50	21	15.00	38	66	40	19.30	37,130
POS16	POS16L	16	M16X2.00	21	15.00	38	66	40	19.30	37,130
POS16C	POS16LC	16	M16X1.50	21	15.00	38	66	40	19.30	37,130
POS18C-16	POS18LC-16	16	M18X1.50	23	16.50	46	72	43	21.80	45,730
POS18C	POS18LC	18	M18X1.50	23	16.50	46	72	43	21.80	45,730
POS20-18	POS20L-18	18	M20X2.50	25	18.00	50	78	46	24.50	55,240
POS20-18C	POS20LC-18	18	M20X1.50	25	18.00	50	78	46	24.50	55,240
POS20	POS20L	20	M20X2.50	25	18.00	50	78	46	24.50	55,240
POS20C	POS20LC	20	M20X1.50	25	18.00	50	78	46	24.50	55,240
POS22	POS22L	22	M22X1.50	28	20.00	54	84	51	25.80	57,420
POS25	POS25L	25	M24X2.00	31	22.00	60	94	57	29.60	67,140

For stainless steel add 'SS' to part no. For example 'POS3-SS NYLON'

POSB-NYLON SERIES: MAINTENANCE FREE WITH MALE THREAD (IMPERIAL)



Housing: Steel 230M07Pb (Sizes 03 - 07)
 Forged 080M46 (Sizes 08 - 16)
 Zinc Plated and Clear Trivalent Passivate

Race: GR-Nylon, LV-3H

Ball: Bearing Steel 100Cr6, Hardened and Electro-less Nickel Plated

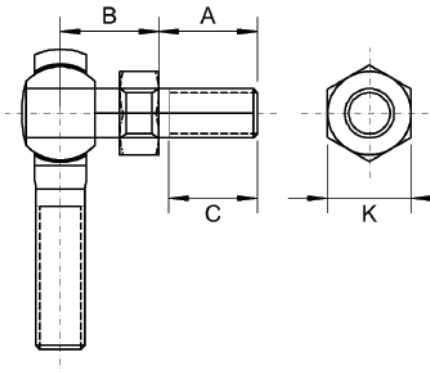
Specification: ELV and RoHS Compliant



Part No. Right Hand	Part No. Left Hand	Bore Size	Thread	W	H	D	L1	L2	O	Static Load Rating (Newtons) Radial
POSB3	POSB3L	3/16	10-32 UNF	0.312	0.250	0.625	1.250	0.750	0.306	5,340
POSB4-3	POSB4L-3	3/16	1/4 UNF	0.375	0.281	0.750	1.562	1.000	0.354	8,450
POSB4	POSB4L	1/4	1/4 UNF	0.375	0.281	0.750	1.562	1.000	0.354	8,450
POSB4F	POSB4LF	1/4	1/4 BSF	0.375	0.281	0.750	1.562	1.000	0.354	8,450
POSB5-4	POSB5L-4	1/4	5/16 UNF	0.437	0.344	0.875	1.875	1.250	0.447	12,010
POSB5F-4	POSB5LF-4	1/4	5/16 BSF	0.437	0.344	0.875	1.875	1.250	0.447	12,010
POSB5	POSB5L	5/16	5/16 UNF	0.437	0.344	0.875	1.875	1.250	0.447	12,010
POSB5F	POSB5LF	5/16	5/16 BSF	0.437	0.344	0.875	1.875	1.250	0.447	12,010
POSB6-5	POSB6L-5	5/16	3/8 UNF	0.500	0.406	1.000	1.938	1.250	0.516	16,900
POSB6F-5	POSB6LF-5	5/16	3/8 BSF	0.500	0.406	1.000	1.938	1.250	0.516	16,900
POSB6	POSB6L	3/8	3/8 UNF	0.500	0.406	1.000	1.938	1.250	0.516	16,900
POSB6/1	POSB6L/1	10mm	3/8 UNF	0.500	0.406	1.000	1.938	1.250	0.516	16,900
POSB6/2	POSB6L/2	3/8 HEX	3/8 UNF	0.500	0.406	1.000	1.938	1.250	0.516	16,900
POSB6F	POSB6LF	3/8	3/8 BSF	0.500	0.406	1.000	1.938	1.250	0.516	16,900
POSB7-6	POSB7L-6	3/8	7/16 UNF	0.562	0.437	1.125	2.125	1.375	0.586	19,750
POSB7F-6	POSB7LF-6	3/8	7/16 BSF	0.562	0.437	1.125	2.125	1.375	0.586	19,750
POSB7	POSB7L	7/16	7/16 UNF	0.562	0.437	1.125	2.125	1.375	0.586	19,750
POSB7F	POSB7LF	7/16	7/16 BSF	0.562	0.437	1.125	2.125	1.375	0.586	19,750
POSB8-7	POSB8L-7	7/16	1/2 UNF	0.625	0.500	1.312	2.438	1.500	0.700	28,900
POSB8F-7	POSB8LF-7	7/16	1/2 BSF	0.625	0.500	1.312	2.438	1.500	0.700	28,900
POSB8	POSB8L	1/2	1/2 UNF	0.625	0.500	1.312	2.438	1.500	0.700	28,900
POSB8F	POSB8LF	1/2	1/2 BSF	0.625	0.500	1.312	2.438	1.500	0.700	28,900
POSB10-8	POSB10L-8	1/2	5/8 UNF	0.750	0.562	1.500	2.625	1.625	0.811	32,000
POSB10F-8	POSB10LF-8	1/2	5/8 BSF	0.750	0.562	1.500	2.625	1.625	0.811	32,000
POSB10	POSB10L	5/8	5/8 UNF	0.750	0.562	1.500	2.625	1.625	0.811	32,000
POSB10F	POSB10LF	5/8	5/8 BSF	0.750	0.562	1.500	2.625	1.625	0.811	32,000
POSB12-10	POSB12L-10	5/8	3/4 UNF	0.875	0.685	1.750	2.875	1.750	0.978	52,400
POSB12F-10	POSB12LF-10	5/8	3/4 BSF	0.875	0.685	1.750	2.875	1.750	0.978	52,400
POSB12	POSB12L	3/4	3/4 UNF	0.875	0.685	1.750	2.875	1.750	0.978	52,400
POSB12F	POSB12LF	3/4	3/4 BSF	0.875	0.685	1.750	2.875	1.750	0.978	52,400
POSB16-12	POSB16L-12	3/4	1" UNF	1.375	1.00	2.750	4.125	2.125	1.486	65,200
POSB16F-12	POSB16LF-12	3/4	1" BSF	1.375	1.00	2.750	4.125	2.125	1.486	65,200
POSB16	POSB16L	1	1" UNF	1.375	1.00	2.750	4.125	2.125	1.486	65,200
POSB16F	POSB16LF	1	1" BSF	1.375	1.00	2.750	4.125	2.125	1.486	65,200

For stainless steel add 'SS' to part no. For example 'POSB5-SS NYLON'

POS-NYLON+STUD SERIES: STUDED WITH MALE THREAD (METRIC)



Housing: Steel 230M07Pb (Sizes M05 – M12 & 03 – 07)
 Forged 080M46 (Sizes M14 – M16 & 08 - 10)
 Zinc Plated and Clear Trivalent Passivated

Race: GR-Nylon, LV-3H

Ball: Bearing Steel 100Cr6, Hardened and Electro-less Nickel Plated

Stud: Steel 230M07Pb, Zinc Plated and Clear. Trivalent Passivated

Specification: ELV and RoHS Compliant



Part No. Right Hand	Part No. Left Hand	Stud Size	Thread	A	B	C	K	Static Load Rating (Newtons) Radial
POS5+STUD	POS5L+STUD	M5X0.80	M5X0.80	10	10	8	9	1,200
POS6-5+STUD	POS6L-5+STUD	M5X0.80	M6X1.00	12	12	10	10	1,200
POS6+STUD	POS6L+STUD	M6X1.00	M6X1.00	12	12	10	10	1,930
POS8-6+STUD	POS8L-6+STUD	M6X1.00	M8X1.25	16	16	14	13	1,930
POS8+STUD	POS8L+STUD	M8X1.25	M8X1.25	16	16	14	13	3,190
POS10-8+STUD	POS10L-8+STUD	M8X1.25	M10X1.50	20	20	18	17	3,190
POS10+STUD	POS10L+STUD	M10X1.50	M10X1.50	20	20	18	17	4,240
POS12-10+STUD	POS12L-10+STUD	M10X1.50	M12X1.75	24	24	21	19	4,240
POS12+STUD	POS12L+STUD	M12X1.75	M12X1.75	24	24	21	19	5,720
POS14-12+STUD	POS14L-12+STUD	M12X1.75	M14X2.00	28	28	25	22	5,720
POS14+STUD	POS14L+STUD	M14X2.00	M14X2.00	28	28	25	22	7,200
POS16-14+STUD	POS16L-14+STUD	M14X2.00	M16X2.00	29	29	24	24	7,200
POS16+STUD	POS16L+STUD	M16X2.00	M16X2.00	29	29	24	24	9,000

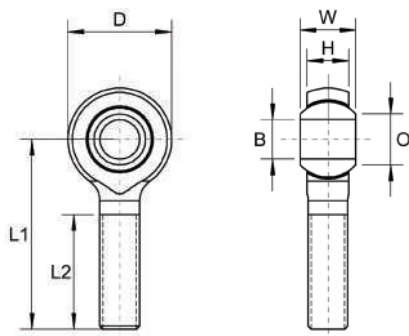
POSB-NYLON+STUD SERIES: STUDED WITH MALE THREAD (IMPERIAL)

Part No. Right Hand	Part No. Left Hand	Stud Size	Thread	A	B	C	K	Static Load Rating (Newtons) Radial
POSB3+STUD	POSB3L+STUD	3/16UNF	3/16 UNF	0.500	0.516	0.437	0.312	1,200
POSB4-3+STUD	POS-B4L-3+STUD	3/16 UNF	1/4 UNF	0.562	0.485	0.500	0.375	1,200
POSB4+STUD	POSB4L+STUD	1/4 UNF	1/4 UNF	0.562	0.485	0.500	0.375	1,930
POSB5-4+STUD	POS-B5L-4+STUD	1/4 UNF	5/16 UNF	0.687	0.547	0.594	0.437	1,930
POSB5+STUD	POSB5L+STUD	5/16 UNF	5/16 UNF	0.687	0.547	0.594	0.437	3,190
POSB6-5+STUD	POS-B6L-5+STUD	5/16 UNF	3/8 UNF	0.906	0.562	0.812	0.500	3,190
POSB6+STUD	POSB6L+STUD	3/8 UNF	3/8 UNF	0.906	0.562	0.812	0.500	4,240
POSB7-6+STUD	POS-B7L-6+STUD	3/8 UNF	7/16 UNF	1.125	0.843	1.000	0.625	4,240
POSB7+STUD	POSB7L+STUD	7/16 UNF	7/16 UNF	1.125	0.843	1.000	0.625	5,720
POSB8-7+STUD	POS-B8L-7+STUD	7/16 UNF	1/2 UNF	1.125	0.875	1.000	0.625	5,720
POSB8+STUD	POSB8L+STUD	1/2 UNF	1/2 UNF	1.125	0.875	1.000	0.625	7,200
POSB10-8+STUD	POS-B10L-8+STUD	1/2 UNF	5/8 UNF	1.125	1.000	1.000	0.750	7,200
POSB10+STUD	POSB10L+STUD	5/8 UNF	5/8 UNF	1.125	1.000	1.000	0.750	9,000

For stainless steel add 'SS' to part no. For example 'POS5-SS+STUD NYLON'



MALE ROD ENDS



POS-PU SERIES

Description:

POS-PU series is our 3-piece unique internationally patented range of male rod ends incorporating a polyurethane bearing race that provides ultra smooth operation. A nitrotec surface protected ball with a PTFE lubricant provide superior shock load and extended wear properties, combined with excellent chemical and corrosion resistance. The unique innovative captive body design prevents detachment through excessive axial loads. For optimum performance, ensure that the rod end is mounted with the moulded lettering facing away from the direction of pull.

Material Specifications:

Housing: Steel 230M07PB zinc plated and clear trivalent passivate. Race: Polyurethane. Ball: 230M07PB nitrotec finish. Stud: Steel 230M07PB zinc plated and clear trivalent passivate and stainless steel 303C. Lubricant: Uniflor oil.

Features:

- Metric & imperial sizes
- Ultra low friction
- High shock loads
- Extended wear life
- No maintenance
- Studded option

Possible Applications:

- Light to medium
- Construction equipment
- Agricultural equipment
- Recreational vehicles
- High precision motion control
- Safety features

Temperature Range:

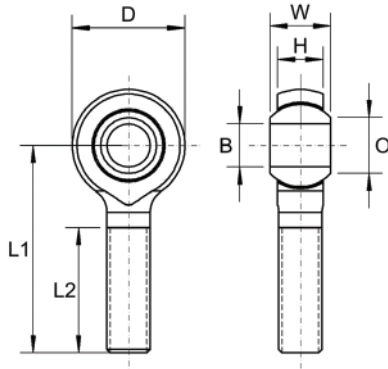
-40°C to + 80°C

Specification:

ELV & RoHS compliant



POS-PU SERIES: MAINTENANCE FREE WITH MALE THREAD (METRIC)



Housing: Steel 230M07Pb, Zinc Plated and Clear Trivalent Passivate

Race: Polyurethane

Ball: Steel 230M07Pb – Nitrotec Surface Protection

Lubricant: Uniflor Oil

Specification: ELV and RoHS Compliant

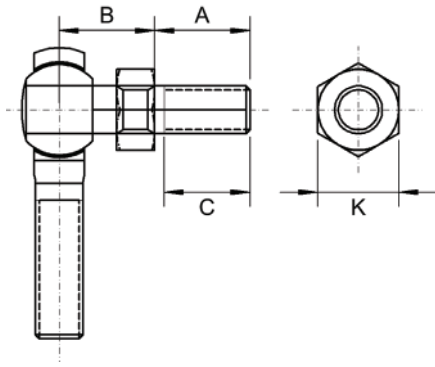


Part No. Right Hand	Part No. Left Hand	Bore Size	Thread	W	H	D	L1	L2	O	Static Load Rating (Newtons) Radial
POS6	POS6L	6	M6X1.00	9	6.75	20	36	21	8.90	9,806
POS8	POS8L	8	M8X1.25	12	9.00	24	42	25	10.35	17,652
POS8C	POS8LC	8	M8X1.00	12	9.00	24	42	25	10.35	17,652
POS10	POS10L	10	M10X1.50	14	10.50	28	48	28	12.85	21,575
POS10C	POS10LC	10	M10X1.25	14	10.50	28	48	28	12.85	21,575

POSB-PU SERIES: MAINTENANCE FREE WITH MALE THREAD (IMPERIAL)

Part No. Right Hand	Part No. Left Hand	Bore Size	Thread	W	H	D	L1	L2	O	Static Load Rating (Newtons) Radial
POSB4	POSB4L	1/4	1/4 UNF	0.354	0.266	0.787	1.417	0.827	0.350	9,806
POSB4F	POSB4LF	1/4	1/4 BSF	0.354	0.266	0.787	1.417	0.827	0.350	9,806
POSB5	POSB5L	5/16	5/16 UNF	0.472	0.354	0.945	1.654	0.984	0.406	17,652
POSB5F	POSB5LF	5/16	5/16 BSF	0.472	0.354	0.945	1.654	0.984	0.406	17,652
POSB6	POSB6L	3/8	3/8 UNF	0.551	0.413	1.102	1.890	1.102	0.508	21,575
POSB6F	POSB6LF	3/8	3/8 BSF	0.551	0.413	1.102	1.890	1.102	0.508	21,575
POSB7	POSB7L	7/16	7/16 UNF	0.562	0.437	1.201	2.118	1.323	0.585	23,540
POSB7F	POSB7LF	7/16	7/16 BSF	0.562	0.437	1.201	2.118	1.323	0.585	23,540
POSB8	POSB8L	1/2	1/2 UNF	0.628	0.472	1.250	2.441	1.457	0.610	25,890
POSB8F	POSB8LF	1/2	1/2 BSF	0.628	0.472	1.250	2.441	1.457	0.610	25,890
POSB10	POSB10L	5/8	5/8 UNF	0.750	0.560	1.503	2.625	1.575	0.811	34,520
POSB10F	POSB10LF	5/8	5/8 UNF	0.750	0.560	1.503	2.625	1.575	0.811	34,520
POSB12	POSB12L	3/4	3/4 UNF	0.875	0.689	1.75	2.875	1.75	0.978	52,000
POSB12F	POSB12LF	3/4	3/4 BSF	0.875	0.689	1.75	2.875	1.75	0.978	52,000

POS-PU+STUD SERIES: STUDED WITH MALE THREAD (METRIC)



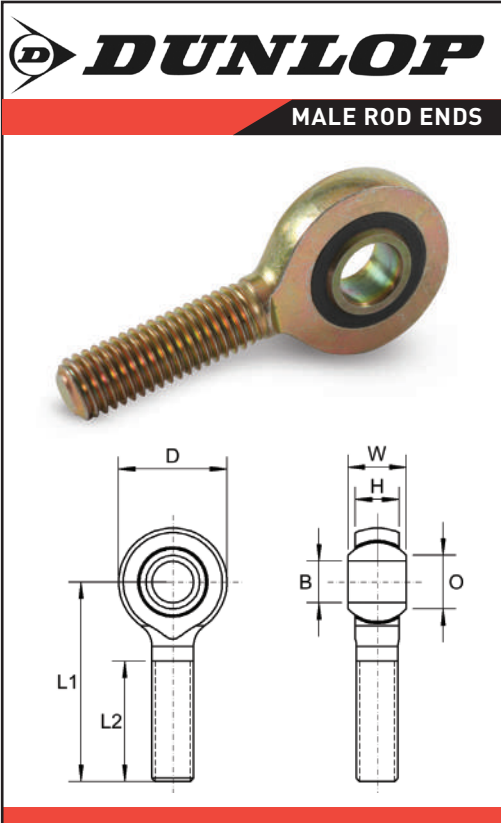
- Housing:** Steel 230M07Pb, Zinc Plated and Clear Trivalent Passivated
- Race:** Polyurethane
- Ball:** Steel 230M07Pb – Nitrotec Surface Protection
- Lubricant:** Uniflor Oil
- Stud:** Steel 230M07Pb, Zinc Plated and Clear. Trivalent Passivated
- Specification:** ELV and RoHS Compliant



Part No. Right Hand	Part No. Left Hand	Stud size	Thread	A	B	C	K	Static Load Rating (Newtons) Radial
POS6+STUD	POS6L+STUD	M6X1.00	M6X1.00	12.5	11.0	10.5	8	1,930
POS8+STUD	POS8L+STUD	M8X1.25	M8X1.25	16.5	13.0	14.5	11	3,190
POS10+STUD	POS10L+STUD	M10X1.50	M10X1.50	20.0	16.0	18.0	13	4,240
POS10C+STUD	POS10LC+STUD	M10X1.50	M10X1.25	20.0	16.0	18.0	13	4,240
POS12+STUD	POS12L+STUD	M12X1.75	M12X1.75	20.0	13.0	18.0	16	5,720
POS12C+STUD	POS12LC+STUD	M12X1.75	M12X1.25	20.0	13.0	18.0	16	5,720

POSB-PU+STUD SERIES: MAINTENANCE FREE WITH MALE THREAD (IMPERIAL)

Part No. Right Hand	Part No. Left Hand	Stud Size	Thread	A	B	C	K	Static Load Rating (Newtons) Radial
POSB4+STUD	POSB4L+STUD	1/4 UNF	1/4 UNF	0.492	0.433	0.412	5/16	1,930
POSB4F+STUD	POSB4LF+STUD	1/4 UNF	1/4 BSF	0.492	0.433	0.412	5/16	1,930
POSB5+STUD	POSB5L+STUD	5/16 UNF	5/16 UNF	0.650	0.512	0.570	7/16	3,190
POSB5F+STUD	POSB5LF+STUD	5/16 UNF	5/16 BSF	0.650	0.512	0.570	7/16	3,190
POSB6+STUD	POSB6L+STUD	3/8 UNF	3/8 UNF	0.787	0.630	0.707	1/2	4,240
POSB6F+STUD	POSB6LF+STUD	3/8 UNF	3/8 BSF	0.787	0.630	0.707	1/2	4,240
POSB7+STUD	POSB7+STUD	7/16 UNF	7/16 UNF	0.945	0.750	0.865	1/2	5,720
POSB7F+STUD	POSB7LF+STUD	7/16 UNF	7/16 BSF	0.945	0.750	0.865	1/2	5,720
POSB8+STUD	POSB8L+STUD	1/2 UNF	1/2 UNF	1.100	0.866	0.945	9/16	7,200
POSB8F+STUD	POSB8LF+STUD	1/2 UNF	1/2 BSF	1.100	0.866	0.945	9/16	7,200



RM SERIES

Description:

RM series is our 3-piece thin series range of male rod ends that have been specifically designed for use with other linkage components such as clevises etc, The RM-Series design allows the rod ends head and ball to neatly slide inside of its mating clevises fork end, ideal for fitting to pre-assembled linkages. Metric and imperial bore and thread sizes are available. Standard product is supplied with a frictional load on the bearing ball, recommended for applications where misalignment may arise in an assembly.

Material Specifications:

Housing: Steel 230M07Pb, zinc plated and clear trivalent passivate. Race: Nylon 66 glass filled with molybdenum disulphide. Ball: Bearing steel 100Cr6, hardened and electroless nickel plated and. Stud: Steel 230M07PB zinc plated and clear trivalent passivate and stainless steel 303L.

Features:

- Metric thread & bore sizes
- Friction load
- High shock loads
- Thin section
- No maintenance
- Studded option

Possible Applications:

- Light to medium industrial/mechanical applications
- Construction equipment
- Agricultural equipment
- Recreational vehicles

Temperature Range:

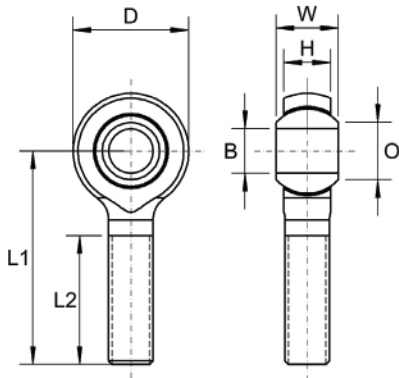
-30°C to + 120°C

Specification:

ELV & RoHS compliant



RM SERIES: MAINTENANCE FREE WITH MALE THREAD (METRIC)



Housing: Steel 230M07Pb, Zinc Plated and Clear Trivalent Passivate

Race: Nylon 66

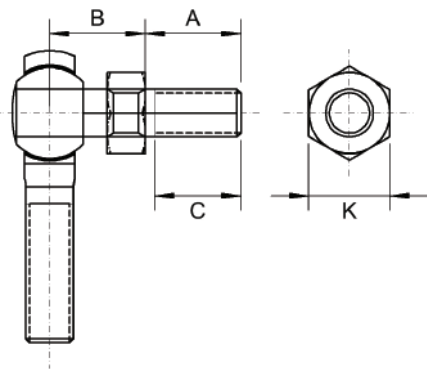
Ball: Bearing Steel 100Cr6, Hardened and Electro-less Nickel Plated

Specification: ELV and RoHS Compliant



Part No. Right Hand	Part No. Left Hand	Bore Size	Thread	W	H	D	L1	L2	O	Static Load Rating (Newtons) Radial
RMM6	RMM6LH	6	M6X1.00	6	4	21	36	22	8.00	1,930
RMM8	RMM8LH	8	M8X1.25	8	6	24	42	24	10.25	3,190
RMM8C	RMM8CLH	8	M8X1.00	8	6	24	42	24	10.25	3,190
RMM10	RMM10LH	10	M10X1.50	9	7	29	48	29	13.23	4,240
RMM10C	RMM10CLH	10	M10X1.25	9	7	29	48	29	13.23	4,240

RMS SERIES: STUDDED WITH MALE THREAD (METRIC)



Housing: Steel 230M07Pb, Zinc Plated and Clear Trivalent Passivate

Race: Nylon 66

Ball: Bearing Steel 100Cr6, Hardened and Electro-less Nickel Plated

Stud: Steel 230M07Pb, Zinc Plated and Clear Trivalent Passivate

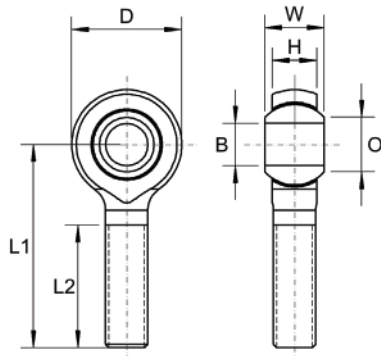
Specification: ELV and RoHS Compliant



Part No. Right Hand	Part No. Left Hand	Stud Size	Thread	A	B	C	K	Static Load Rating (Newtons) Radial
RMMS6	RMMS6LH	M6X1.00	M6X1.00	12.5	11.0	10.5	8	1,930
RMMS8	RMMS8LH	M8X1.25	M8X1.25	16.5	13.0	14.5	11	3,190
RMMS8C	RMMS8CLH	M8X1.25	M8X1.00	16.5	13.0	14.5	11	3,190
RMMS10	RMMS10LH	M10X1.50	M10X1.50	20.0	16.0	12.0	13	4,240
RMMS10C	RMMS10CLH	M10X1.5	M10X1.25	20.0	16.0	12.0	13	4,240



MALE ROD ENDS



POS-BRONZE SERIES

Description:

POS-Bronze Series is our 3-piece standard range of maintenance required general purpose male rod ends suitable for medium heavy industrial/mechanical load applications requiring low friction and good wear resistance, available in both metric and imperial bore and thread sizes. An oil impregnated sintered bronze race is also available for some sizes or if quantity justifies production, suitable for high precision motion transfer applications and extended wear life.

Material Specifications:

Housing: Steel 230M07PB and forged 080M46, zinc plated and clear trivalent passivate. Race: Bronze SAE660. Ball: Bearing steel 100Cr6, hardened and electroless nickel plated. Stud: Steel 230M07PB zinc plated and clear trivalent passivate.

Features:

- Metric & imperial thread & bore sizes
- Low friction
- Self-lubricating option available
- Extended wear life
- Maintenance required
- Studded option

Possible Applications

- Medium/heavy industrial/mechanical applications
- Construction equipment
- Agricultural equipment
- Recreational vehicles
- Precision equipment

Temperature Range:

-34°C to +149°C

Specification:

ELV & RoHS compliant

Interchange table

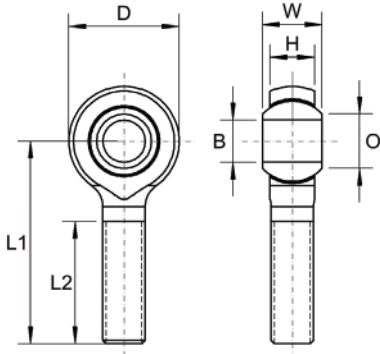
Dunlop	Rose	Tuthill	Alinabal	SKF	Asahi	IKO	Fluro
POS-BRONZE (metric)	MM	MB-M	MVM-M	SAKAC-M	JAM	POS	GAS
POSB-BRONZE (imperial)	RM-U	MB	VM-G	-	-	POSB	-

Note: Manufacturers part numbers are used for descriptive purposes only and may not be direct equivalent products.



For stainless steel add 'SS' to part no. For example 'POS3-BRONZE SS'

POS-BRONZE SERIES: MAINTENANCE REQUIRED WITH MALE THREAD (METRIC)

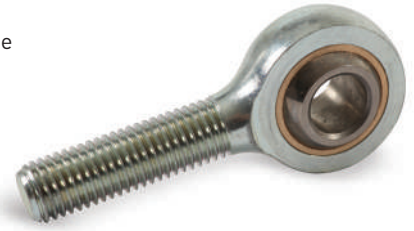


Housing: Steel 230M07Pb (Sizes M03 – M12),
Forged 080M46 (Sizes M14 – M25),
Zinc Plated and Clear Trivalent Passivate

Race: Bronze SAE660

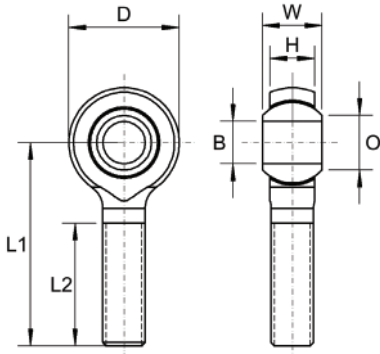
Ball: Bearing Steel 100Cr6, Hardened
Electro-less Nickel Plated

Specification: ELV and RoHS Compliant



Part No. Right Hand	Part No. Left Hand	Bore Size	Thread	W	H	D	L1	L2	O	Static Load Rating (Newtons) Radial
POS3	POS3L	3	M3X0.50	6	4.50	12	27	15	5.20	3,648
POS4	POS4L	4	M4X0.70	7	5.00	14	30	18	6.30	4,960
POS5	POS5L	5	M5X0.80	8	6.00	16	33	20	7.50	6,360
POS6	POS6L	6	M6X1.00	9	6.75	18	36	22	9.30	6,820
POS8	POS8L	8	M8X1.25	12	9.00	22	42	25	10.40	10,450
POS10	POS10L	10	M10X1.50	14	10.50	26	48	29	12.90	14,000
POS12	POS12L	12	M12X1.75	16	12.00	30	54	33	15.40	18,745
POS14	POS14L	14	M14X2.00	19	13.50	34	60	36	16.80	22,125
POS16	POS16L	16	M16X2.00	21	15.00	38	66	40	19.30	23,700
POS18C	POS18LC	18	M18X1.50	23	16.50	46	72	43	21.80	25,600
POS20	POS20L	20	M20X2.50	25	18.00	50	78	46	24.50	28,640
POS22	POS22L	22	M22X1.50	28	20.00	54	84	51	25.80	34,200
POS25	POS25L	25	M24X2.00	31	22.00	60	94	57	29.60	47,750

POSB-BRONZE SERIES: MAINTENANCE REQUIRED WITH MALE THREAD (IMPERIAL)



Housing: Steel 230M07Pb (Sizes 03 - 07),
Forged 080M46 (Sizes 08 - 16),
Zinc Plated and Clear Trivalent Passivate

Race: Bronze SAE660

Ball: Bearing Steel 100Cr6, Hardened
and Electro-less Nickel Plated

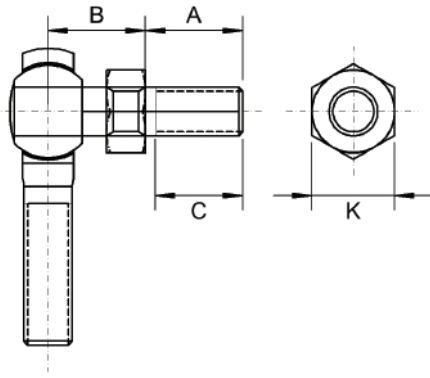
Specification: ELV and RoHS Compliant



Part No. Right Hand	Part No. Left Hand	Bore Size	Thread	W	H	D	L1	L2	O	Static Load Rating (Newtons) Radial
POSB3	POSB3L	3/16	10-32 UNF	0.312	0.250	0.625	1.250	0.750	0.306	6,360
POSB4	POSB4L	1/4	1/4 UNF	0.375	0.281	0.750	1.562	1.000	0.354	6,820
POSB5	POSB5L	5/16	5/16 UNF	0.437	0.344	0.875	1.875	1.250	0.447	10,450
POSB6	POSB6L	3/8	3/8 UNF	0.500	0.406	1.000	1.938	1.250	0.516	13,640
POSB7	POSB7L	7/16	7/16 UNF	0.562	0.437	1.125	2.125	1.375	0.586	16,360
POSB8	POSB8L	1/2	1/2 UNF	0.625	0.500	1.312	2.438	1.500	0.700	19,545
POSB10	POSB10L	5/8	5/8 UNF	0.750	0.562	1.500	2.625	1.625	0.811	22,500
POSB12	POSB12L	3/4	3/4 UNF	0.875	0.685	1.750	2.875	1.750	0.978	28,640
POSB16	POSB16L	1	1" UNF	1.375	1.00	2.750	4.125	2.125	1.486	47,500

An oil impregnated Sintered Bronze race is also available for some sizes or if quantity justifies production. This will offer extended life without the need for routine maintenance i.e. maintenance free, add suffix "SPB" to part number for example POS10-SPB BRONZE please enquire for availability.

POS-BRONZE+STUD SERIES: STUDED WITH MALE THREAD (METRIC)



Housing: Steel 230M07Pb (Sizes M05 – M12)
 Forged 080M46 (Sizes M14 – M16)
 Zinc Plated and Clear Trivalent Passivate

Race: Bronze SAE660

Ball: Bearing Steel 100Cr6, Hardened and Electro-less Nickel Plated

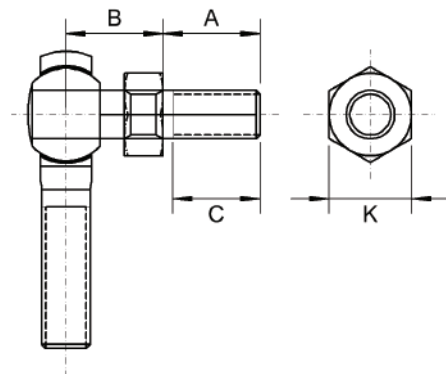
Stud: Steel 230M07Pb, Zinc Plated and Clear Trivalent Passivate

Specification: ELV and RoHS Compliant



Part No. Right Hand	Part No. Left Hand	Stud Size	Thread	A	B	C	K	Static Load Rating (Newtons) Radial
POS5+STUD	POS5L+STUD	M5X0.50	M5X0.80	10	10	8	9	1,200
POS6+STUD	POS6L+STUD	M6X1.00	M6X1.00	12	12	10	10	1,930
POS8+STUD	POS8L+STUD	M8X1.25	M8X1.25	16	16	14	13	3,190
POS10+STUD	POS10L+STUD	M10X1.50	M10X1.50	20	20	18	17	4,240
POS12+STUD	POS12L+STUD	M12X1.75	M12X1.75	24	24	21	19	5,720
POS14+STUD	POS14L+STUD	M14X2.00	M14X2.00	28	28	25	22	7,200
POS16+STUD	POS16L+STUD	M16X2.00	M16X2.00	29	29	24	24	9,000

POSB-BRONZE SERIES: STUDED WITH MALE THREAD (IMPERIAL)



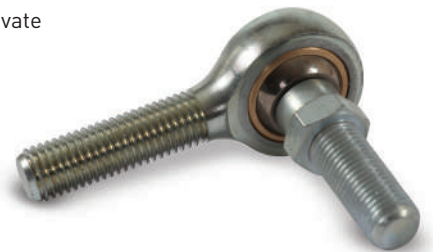
Housing: Steel 230M07Pb (Sizes 03 – 07)
 Forged 080M46 (Sizes 08 - 10)
 Zinc Plated and Clear Trivalent Passivate

Race: Bronze SAE660

Ball: Bearing Steel 100Cr6, Hardened and Electro-less Nickel Plated

Stud: Steel 230M07Pb, Zinc Plated and Clear Trivalent Passivate

Specification: ELV and RoHS Compliant

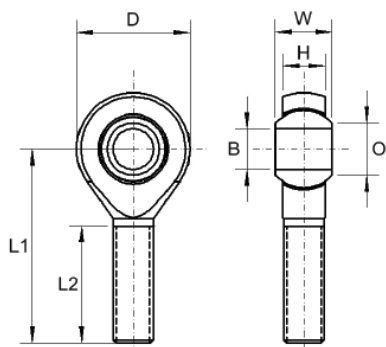


Part No. Right Hand	Part No. Left Hand	Stud Size	Thread	A	B	C	K	Static Load Rating (Newtons) Radial
POSB3+STUD	POSB3L+STUD	3/16 UNF	3/16 UNF	0.500	0.516	0.437	0.312	1,200
POSB4+STUD	POSB4L+STUD	1/4 UNF	1/4 UNF	0.562	0.485	0.500	0.375	1,930
POSB5+STUD	POSB5L+STUD	5/16 UNF	5/16 UNF	0.687	0.547	0.594	0.437	3,190
POSB6+STUD	POSB6L+STUD	3/8 UNF	3/8 UNF	0.906	0.562	0.812	0.500	4,240
POSB7+STUD	POSB7L+STUD	7/16 UNF	7/16 UNF	1.125	0.843	1.000	0.625	5,720
POSB8+STUD	POSB8L+STUD	1/2 UNF	1/2 UNF	1.125	0.875	1.000	0.625	7,200
POSB10+STUD	POSB10L+STUD	5/8 UNF	5/8 UNF	1.125	1.000	1.000	0.750	9,000

For stainless steel add 'SS' to part no. For example 'POS5-SS+STUD BRONZE'



MALE ROD ENDS



POS-PTFE SERIES

Description:

POS-PTFE Series is our 3-piece steel on steel range of male rod ends incorporating a high strength PTFE bronze mesh between the ball and the liner material, suitable for high shock loads and medium to heavy mechanical load applications requiring low friction, available in both metric and imperial bore thread sizes, they do not require maintenance.

Material Specifications:

Housing: Steel 230M07Pb and forged 080M46, zinc plated and clear trivalent passivate and stainless steel 303L and forged 304. Inner Ring: Steel 070M20 zinc plated and clear trivalent passivate. Liner: High strength PTFE bronze mesh composite. Ball: Bearing steel 100Cr6, heat treated, polished & electroless nickel plated and stainless steel 440C

Features:

Metric & imperial thread & bore sizes, low friction, high shock loads. Extended wear life No maintenance Studded and stainless steel options.

Possible Applications:

Medium/heavy industrial/mechanical applications Construction equipment Agricultural equipment Motor sport and recreational vehicles requiring high precision motion control.

Temperature Range:

-200°C to + 260°C

Specification:

ELV & RoHS compliant

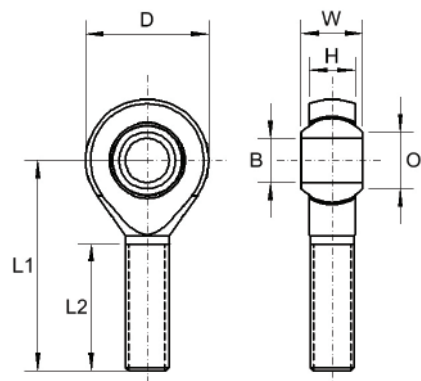
Interchange table

Dunlop	Rose	Aurora	Askubal	SKF	ASAHI	IKO	Fluro
POS-PTFE (metric)	MMC	MM-M-T and MB-M-T	KA-P	SAKB-F	JAM-EC	POS-EC	GASW
POSB-PTFE (imperial)	RMC	MM-T and MB-T	-	-		POSB-EC	

Note: Manufacturers part numbers are used for descriptive purposes only and may not be direct equivalent products.



POS-PTFE SERIES: MAINTENANCE FREE WITH MALE THREAD (METRIC)



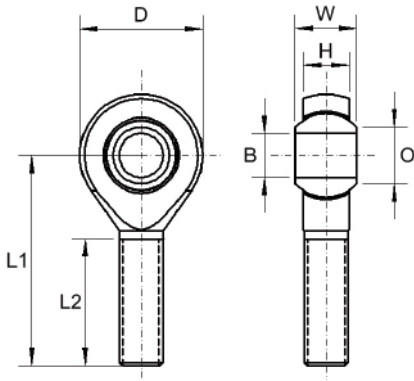
- Housing:** Steel 230M07Pb (Sizes M05 – M12)
Forged 080M46 (Sizes M14 – M25)
Zinc Plated and Clear Trivalent Passivate
- Inner Ring:** Steel 070M20, Zinc Plated and Clear Trivalent Passivate
- Ball:** Bearing Steel 100Cr6, Hardened and Electro-less Nickel Plated
- Liner:** High Strength PTFE composite
- Specification:** ELV and RoHS Compliant



Part No. Right Hand	Part No. Left Hand	Bore Size	Thread	W	H	D	L1	L2	O	Static Load Rating (Newtons) Radial
POS5	POS5L	5	M5x0.80	8	6.00	18	33	20	7.70	4,300
POS6-5	POS6L-5	5	M6X1.00	9	6.75	20	36	22	8.90	6,000
POS6	POS6L	6	M6X1.00	9	6.75	20	36	22	8.90	6,000
POS8-6	POS8L-6	6	M8X1.25	12	9.00	24	42	25	10.40	11,100
POS8C-6	POS8LC-6	6	M8X1.00	12	9.00	24	42	25	10.40	11,100
POS8	POS8L	8	M8X1.25	12	9.00	24	42	25	10.40	11,100
POS8C	POS8LC	8	M8X1.00	12	9.00	24	42	25	10.40	11,100
POS10-8	POS10L-8	8	M10X1.50	14	10.50	28	48	29	12.90	17,500
POS10C-8	POS10LC-8	8	M10X1.25	14	10.50	28	48	29	12.90	17,500
POS10	POS10L	10	M10X1.50	14	10.50	28	48	29	12.90	17,500
POS10C	POS10LC	10	M10X1.25	14	10.50	28	48	29	12.90	17,500
POS12-10	POS12L-10	10	M12X1.75	16	12.00	32	54	33	15.40	23,600
POS12C-10	POS12LC-10	10	M12X1.25	16	12.00	32	54	33	15.40	23,600
POS12	POS12L	12	M12X1.75	16	12.00	32	54	33	15.40	23,600
POS12C	POS12LC	12	M12X1.25	16	12.00	32	54	33	15.40	23,600
POS14-12	POS14L-12	12	M14X2.00	19	13.50	36	60	38	16.80	29,200
POS14C-12	POS14LC-12	12	M14X1.50	19	13.50	36	60	38	16.80	29,200
POS14	POS14L	14	M14X2.00	19	13.50	36	60	38	16.80	29,200
POS14C	POS14LC	14	M14X1.50	19	13.50	36	60	38	16.80	29,200
POS16-14	POS16L-14	14	M16X2.00	21	15.00	42	66	40	19.30	32,100
POS16C-14	POS16LC-14	14	M16X1.50	21	15.00	42	66	40	19.30	32,100
POS16	POS16L	16	M16X2.00	21	15.00	42	66	40	19.30	32,100
POS16C	POS16LC	16	M16X1.50	21	15.00	42	66	40	19.30	32,100
POS18C-16	POS18LC-16	16	M18X1.50	23	16.50	46	72	44	21.80	38,400
POS18C	POS18LC	18	M18X1.50	23	16.50	46	72	44	21.80	38,400
POS20-18	POS20L-18	18	M20X2.50	25	18.00	50	78	47	24.30	45,000
POS20C-18	POS20LC-18	18	M20X1.50	25	18.00	50	78	47	24.30	45,000
POS20	POS20L	20	M20X2.50	25	18.00	50	78	47	24.30	45,000
POS20C	POS20LC	20	M20X1.50	25	18.00	50	78	47	24.30	45,000
POS22-20	POS22L-20	20	M22X1.50	28	20.00	54	84	51	25.80	52,750
POS22	POS22L	22	M22X1.50	28	20.00	54	84	51	25.80	52,750
POS25-20	POS25L-20	20	M24X2.00	31	22.00	60	94	57	29.60	60,900
POS25	POS25L	25	M24X2.00	31	22.00	60	94	57	29.60	60,900

For stainless steel add 'SS' to part no. For example 'POS5-SS PTFE'

POS-PTFE SERIES: MAINTENANCE FREE WITH MALE THREAD (IMPERIAL)



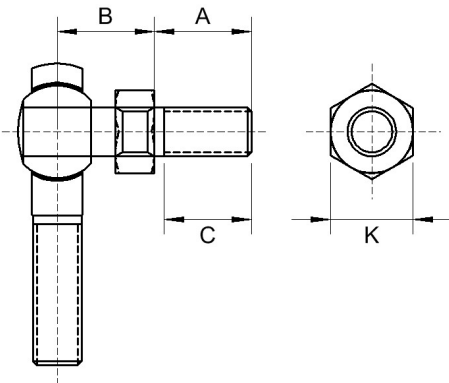
- Housing:** Steel 230M07Pb (Sizes 04 - 07)
Forged 080M46 (Sizes 08 - 12)
Zinc Plated and Clear Trivalent Passivate
- Inner Ring:** Steel 070M20, Zinc Plated and Clear Trivalent Passivate
- Ball:** Bearing Steel 100Cr6, Hardened and Electro-less Nickel Plated
- Liner:** High Strength PTFE Composite
- Specification:** ELV and RoHS Compliant



Part No. Right Hand	Part No. Left Hand	Bore Size	Thread	W	H	D	L1	L2	O	Static Load Rating (Newtons) Radial
POSB4	POSB4L	1/4	1/4 UNF	0.375	0.281	0.812	1.562	1.000	8.40	6,000
POSB4F	POSB4LF	1/4	1/4 BSF	0.375	0.281	0.812	1.562	1.000	8.40	6,000
POSB5-4	POSB5L-4	1/4	5/16 UNF	0.437	0.344	1.000	1.875	1.250	11.35	11,100
POSB5F-4	POSB5LF-4	1/4	5/16 BSF	0.437	0.344	1.000	1.875	1.250	11.35	11,100
POSB5	POSB5L	5/16	5/16 UNF	0.437	0.344	1.000	1.875	1.250	11.35	11,100
POSB5F	POSB5LF	5/16	5/16 BSF	0.437	0.344	1.000	1.875	1.250	11.35	11,100
POSB6-5	POSB6L-5	5/16	3/8 UNF	0.500	0.406	1.125	1.938	1.250	13.10	17,500
POSB6F-5	POSB6LF-5	5/16	3/8 BSF	0.500	0.406	1.125	1.938	1.250	13.10	17,500
POSB6	POSB6L	3/8	3/8 UNF	0.500	0.406	1.125	1.938	1.250	13.10	17,500
POSB6F	POSB6LF	3/8	3/8 BSF	0.500	0.406	1.125	1.938	1.250	13.10	17,500
POSB7-6	POSB7L-6	3/8	7/16 UNF	0.562	0.437	1.250	2.125	1.375	14.90	19,900
POSB7F-6	POSB7LF-6	3/8	7/16 BSF	0.562	0.437	1.250	2.125	1.375	14.90	19,900
POSB7	POSB7L	7/16	7/16 UNF	0.562	0.437	1.250	2.125	1.375	14.90	19,900
POSB7F	POSB7LF	7/16	7/16 BSF	0.562	0.437	1.250	2.125	1.375	14.90	19,900
POSB8-7	POSB8L-7	7/16	1/2 UNF	0.625	0.500	1.375	2.438	1.500	17.75	23,600
POSB8F-7	POSB8LF-7	7/16	1/2 BSF	0.625	0.500	1.375	2.438	1.500	17.75	23,600
POSB8	POSB8L	1/2	1/2 UNF	0.625	0.500	1.375	2.438	1.500	17.75	23,600
POSB8F	POSB8LF	1/2	1/2 BSF	0.625	0.500	1.375	2.438	1.500	17.75	23,600
POSB10-8	POSB10L-8	1/2	5/8 UNF	0.750	0.562	1.750	2.625	1.625	21.30	32,100
POSB10F-8	POSB10LF-8	1/2	5/8 BSF	0.750	0.562	1.750	2.625	1.625	21.30	32,100
POSB10	POSB10L	5/8	5/8 UNF	0.750	0.562	1.750	2.625	1.625	21.30	32,100
POSB10F	POSB10LF	5/8	5/8 BSF	0.750	0.562	1.750	2.625	1.625	21.30	32,100
POSB12-10	POSB12L-10	5/8	3/4 UNF	0.875	0.687	2.000	2.875	1.750	24.80	45,000
POSB12F-10	POSB12LF-10	5/8	3/4 BSF	0.875	0.687	2.000	2.875	1.750	24.80	45,000
POSB12	POSB12L	3/4	3/4 UNF	0.875	0.687	2.000	2.875	1.750	24.80	45,000
POSB12F	POSB12LF	3/4	3/4 BSF	0.875	0.687	2.000	2.875	1.750	24.80	45,000

For stainless steel add 'SS' to part no. For example 'POSB6-SS PTFE'

POS-PTFE+STUD SERIES: STUDED WITH MALE THREAD (METRIC)

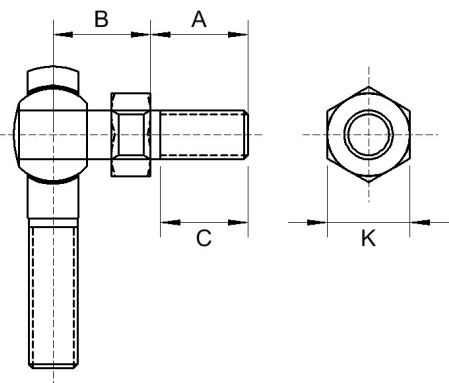


- Housing:** Steel 230M07Pb (Sizes M05 – M12)
Forged 080M46 (Sizes M14 – M16)
Zinc Plated and Clear Trivalent Passivate
- Inner Ring:** Steel 070M20, Zinc Plated and Clear Trivalent Passivate
- Ball:** Bearing Steel 100Cr6, Hardened and Electro-less Nickel Plated
- Stud:** Steel 230M07Pb, Zinc Plated and Clear Trivalent Passivate
- Liner:** High Strength PTFE Composite
- Specification:** ELV and RoHS Compliant



Part No. Right Hand	Part No. Left Hand	Stud Size	Thread	A	B	C	K	Static Load Rating (Newtons) Radial
POS5+STUD	POS5L+STUD	M5X0.80	M5x0.80	10	10	8	9	1,200
POS6+STUD	POS6L+STUD	M6X1.00	M6X1.00	12	12	10	10	1,930
POS8+STUD	POS8L+STUD	M8X1.25	M8X1.25	16	16	14	13	3,190
POS10+STUD	POS10L+STUD	M10X1.50	M10X1.50	20	20	18	17	4,240
POS12+STUD	POS12L+STUD	M12X1.75	M12X1.75	24	24	21	19	5,720
POS14+STUD	POS14L+STUD	M14X2.00	M14X2.00	28	28	25	22	7,200
POS16+STUD	POS16L+STUD	M16X2.00	M16X2.00	29	29	24	24	9,000

POSB-PTFE+STUD SERIES: STUDED WITH MALE THREAD (IMPERIAL)



- Housing:** Steel 230M07Pb (Sizes 04 - 07)
Forged 080M46 (Sizes 08 - 10)
Zinc Plated and Clear Trivalent Passivate
- Inner Ring:** Steel 070M20, Zinc Plated and Clear Trivalent Passivate
- Ball:** Bearing Steel 100Cr6, Hardened and Electro-less Nickel Plated
- Stud:** Steel 230M07Pb, Zinc Plated and Clear Trivalent Passivate
- Liner:** High Strength PTFE Composite
- Specification:** ELV and RoHS Compliant



Part No. Right Hand	Part No. Left Hand	Stud Size	Thread	A	B	C	K	Static Load Rating (Newtons) Radial
POSB4+STUD	POSB4L+STUD	1/4 UNF	1/4 UNF	0.562	0.485	0.500	0.375	1,200
POSB5+STUD	POSB5L+STUD	5/16 UNF	5/16 UNF	0.687	0.547	0.594	0.437	3,190
POSB6+STUD	POSB6L+STUD	3/8 UNF	3/8 UNF	0.906	0.562	0.812	0.500	4,240
POSB7+STUD	POSB7L+STUD	7/16 UNF	7/16 UNF	1.125	0.843	1.000	0.625	5,720
POSB8+STUD	POSB8L+STUD	1/2 UNF	1/2 UNF	1.125	0.875	1.000	0.625	7,200
POSB10+STUD	POSB10L+STUD	5/8 UNF	5/8 UNF	1.125	1.000	1.000	0.750	9,000

For stainless steel add 'SS' to part no. For example 'POS5-SS+STUD PTFE'

MALE ROD ENDS

MX SERIES

Description:
MX series Rod Ends have been developed for use in General Engineering applications where medium to high loads are encountered. Within their load carrying capacity they will withstand shock loading and high frequency oscillation.

Material Specifications:
Housing: 817M 40, heat treated to 80/90 tons/in² tensile, Phosphated all over.
Ball: 100Cr 6, heat treated, Phosphated all over.

Features:
Metric and Imperial sizes available
Can be used in application involving shock loading and high frequency oscillation.

Possible Applications:
Medium / heavy industrial/mechanical applications
Construction equipment
Agricultural equipment and motor sport.

Temperature Range:
-40°C to +150°C

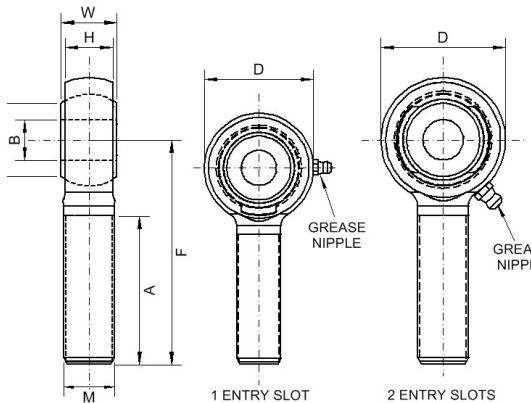
Specification:
ELV & RoHS compliant

Interchange table

Dunlop	Rose	NMB
MX-M (metric)	RBJ-M	RBJ-M
MX (imperial)	RBJ	RBJ

Note: Manufacturers part numbers are used for descriptive purposes only and may not be direct equivalent products.

MX SERIES: MAINTENANCE REQUIRED WITH MALE THREAD (METRIC)



Housing: Forged 817M40, Heat Treated to 80/90 tons/in² tensile and Phosphate all over

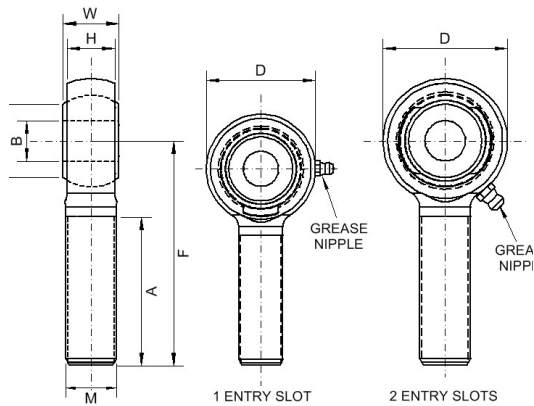
Ball: Bearing Steel 100Cr6, Heat Treated and Phosphate all over

Specification: ELV and RoHS Compliant



Part No. Right Hand	Part No. Left Hand	B	W	H	O	D	F	A	M	X	Static Load Rating (Newtons) Radial
MX-M08-6C	MXL-M08-6C	6	9,5	8,1	9,5	20,6	41,5	26	M8 x 1.00	22	11770
MX-M08-6	MXL-M08-6	6	9,5	8,1	9,5	20,6	41,5	26	M8 x 1.25	22	11770
MX-M10-8C	MXL-M10-8C	8	11,0	9,5	11,0	23,8	47,5	31	M10 x 1.25	21	19610
MX-M10-8	MXL-M10-8	8	11,0	9,5	11,0	23,8	47,5	31	M10 x 1.50	21	19610
MX-M12-10CG	MXL-M12-10CG	10	14,2	12,2	14,2	31,0	60,5	40	M12 x 1.25	22	27460
MX-M12-10G	MXL-M12-10G	10	14,2	12,2	14,2	31,0	60,5	40	M12 x 1.75	22	27460
MX-M16-12CG	MXL-M16-12CG	12	19,0	16,2	19,0	41,2	76,0	50	M16 x 1.50	22	49030
MX-M16-12G	MXL-M16-12G	12	19,0	16,2	19,0	41,2	76,0	50	M16 x 2.00	22	49030
MX-M20-16CG	MXL-M20-16CG	16	22,2	19,0	22,2	49,2	89,0	59	M20 x 1.50	21	77470
MX-M20-16G	MXL-M20-16G	16	22,2	19,0	22,2	49,2	89,0	59	M20 x 2.50	21	77470
MX-M24-20G	MXL-M24-20G	20	22,2	20,6	25,4	54,0	101,5	69	M24 x 2.00	16	110810

MX SERIES: MAINTENANCE REQUIRED WITH MALE THREAD (IMPERIAL)



Housing: Forged 817M40, Heat Treated to 80/90 tons/in² tensile and Phosphate all over

Ball: Bearing Steel 100Cr6, Heat Treated and Phosphate all over

Specification: ELV and RoHS Compliant



Part No. Right Hand	Part No. Left Hand	B	W	H	O	D	F	A	M	X	Static Load Rating (Newtons) Radial
MX-05-4	MXL-05-4	.2500	.375	.320	.375	.812	1.625	1.062	5/16 UNF	22	11770
MX-05-4F	MXL-05-4F	.2500	.375	.320	.375	.812	1.625	1.062	5/16 BSF	22	11770
MX-06-5	MXL-06-5	.3125	.437	.375	.437	.937	1.875	1.250	3/8 UNF	21	19610
MX-06-5F	MXL-06-5F	.3125	.437	.375	.437	.937	1.875	1.250	3/8 BSF	21	19610
MX-08-6G	MXL-08-6G	.3750	.562	.480	.562	1.218	2.375	1.625	1/2 UNF	22	27460
MX-08-6FG	MXL-08-6FG	.3750	.562	.480	.562	1.218	2.375	1.625	1/2 BSF	22	27460
MX-10-8G	MXL-10-8G	.5000	.750	.640	.750	1.625	3.000	2.000	5/8 UNF	22	49030
MX-10-8FG	MXL-10-8FG	.5000	.750	.640	.750	1.625	3.000	2.000	5/8 BSF	22	49030
MX-12-10G	MXL-12-10G	.6250	.875	.750	.875	1.937	3.500	2.375	3/4 UNF	21	77470
MX-12-10FG	MXL-12-10FG	.6250	.875	.750	.875	1.937	3.500	2.375	3/4 BSF	21	77470
MX-14-12G	MXL-14-12G	.7500	.875	.812	1.000	2.125	4.000	2.750	7/8 UNF	16	110810
MX-14-12FG	MXL-14-12FG	.7500	.875	.812	1.000	2.125	4.000	2.750	7/8 BSF	16	110810
MX-20F-16G	MXL-20F-16G	1.0000	1.375	1.0000	1.375	3.000	5.250	3.500	1 1/4 UNF	24	150250
MX-20F-16FG	MXL-20F-16FG	1.0000	1.375	1.0000	1.375	3.000	5.250	3.500	1 1/4 BSF	24	150250



'G' in part number denotes grease nipple is fitted.